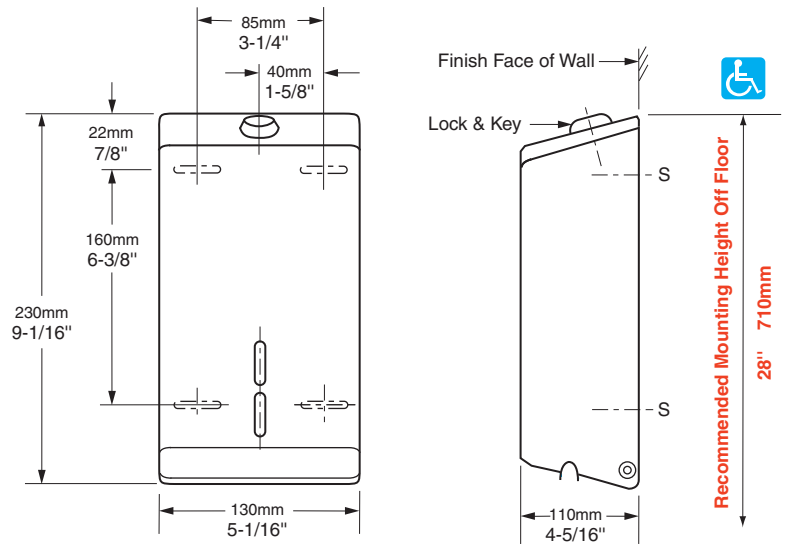




Technical Data

SURFACE-MOUNTED TOILET TISSUE CABINET

B-2721



MATERIALS:

Cabinet — 18-8 S, type-304, 0.8mm (22-gauge) stainless steel with satin finish. Equipped with a tumbler lock keyed like other Bobrick washroom accessories.

OPERATION:

Unit dispenses either single- or doublefold toilet tissue. Large capacity accommodates 1330 singlefold toilet tissues and can be refilled with a full standard pack before dispenser is empty. Slots in cabinet indicate refill time.

INSTALLATION:

Mount unit on wall or partition with four #8 x 3/4" sheet-metal screws (not furnished) at points indicated by an S. For plaster or dry wall construction, provide concealed backing to comply with local building codes, then secure unit with sheet-metal screws. For other wall surfaces, provide fiber plugs or expansion shields for use with sheet-metal screws or provide 3mm (1/8") toggle bolts or expansion bolts.

SPECIFICATION:

Surface-mounted toilet tissue cabinet shall be type-304 stainless steel with satin finish. Unit shall dispense either single- or doublefold toilet tissue and be equipped with a tumbler lock keyed like other Bobrick washroom accessories.

Surface-Mounted Toilet Tissue Cabinet shall be Model B-2721 of Bobrick Washroom Equipment, Inc., Clifton Park, New York; Jackson, Tennessee; Los Angeles, California; Bobrick Washroom Equipment Company, Scarborough, Ontario; Bobrick Washroom Equipment Pty. Ltd., Australia; and Bobrick Washroom Equipment Limited, United Kingdom.