

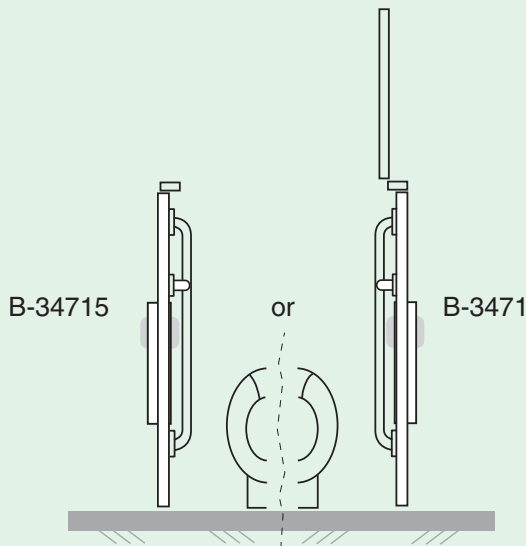
# Advisory Bulletin



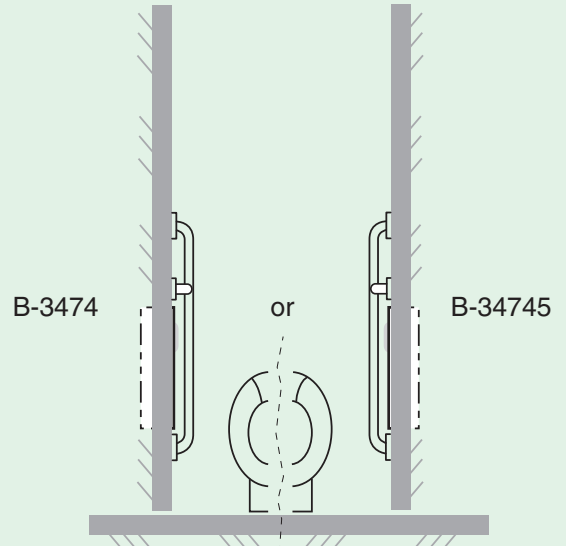
BUILDING VALUE SINCE 1906

## TB-92 Product Placement for Recessed, Partition-Mounted Units in Accessible Toilet Compartments

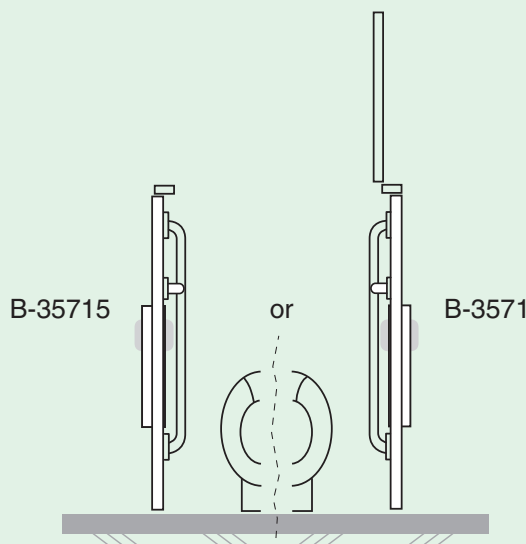
### B-3471 Partition-Mounted



### B-3474 Recessed



### B-3571 Partition-Mounted



### B-3574 Recessed

