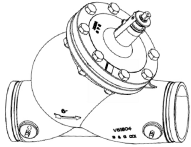


JOB:	REPRESENTATIVE:	
UNIT TAG:	ORDER NO.	DATE:
ENGINEER:	SUBMITTED BY:	DATE:
CONTRACTOR:	APPROVED BY:	DATE:



# Circuit Setter®

## Calibrated Balance Valves with Grooved Connections

**DESCRIPTION**

The Bell & Gossett Circuit Setter calibrated balance valve is a precision machined triple purpose balancing instrument. It is precisely calibrated for use as a presettable balance valve, variable orifice flow meter and positive shut-off service valve.

Valves are furnished with a calibrated nameplate and memory stop indicator which permits the value to be preset to a fixed open position and then closed for service without disturbing valve setting.

Valves are equipped with capped readout valves fitted with internal check valves.

**MAXIMUM OPERATING TEMPERATURE**

250°F (121°C)

**MAXIMUM WORKING PRESSURE**

300 PSIG (2068 kPa)

**Sizes 4"-12"**

- Body & Bonnet - Grooved: Ductile Iron
- Disc: Brass with EPDM Insert.
- Stern: Stainless Steel
- Packing: Teflon-Graphite (Asbestos-Free)
- Gasket: Synthetic Fiber - Nitrile Binder (Asbestos-Free)
- Seal Ring: EPDM
- Bushing: Nickel Plated Steel

**TYPICAL SPECIFICATION**

Furnish and install as shown on plans and with manufacturer's recommendations Model CB calibrated balance valves.

**PRE-SET BALANCE FEATURE**

Valves to be designed to allow installing contractor to pre-set balance points for proportional system balance prior to system start-up in accordance with pre-set balance schedule.

**VALVE DESIGN AND CONSTRUCTION**

Valves shall be of heavy-duty ductile iron {grooved} construction with connections suitable up to 300 psi working pressure. Valves 4" - 12" shall be fitted with a bronze seat, replaceable bronze disc with EPDM seal insert, and stainless steel stem.

**DESIGN PRESSURE/TEMPERATURE**

300 psig at 250°F

All balance valves to be ITT Bell & Gossett Model No. CB-\_\_\_\_\_ (note sizes)

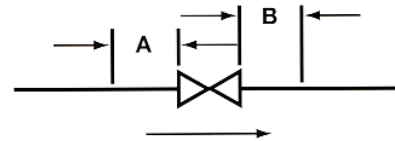
**IMPORTANT**

When monitoring system flow, care must be exercised to avoid direct skin or eye contact with liquids that may escape. Liquids with temperatures in excess of 120°F (49°C) may cause burns.

Bell & Gossett Circuit Setter Balance Valves are not recommended for use with meter connections pointing downward.

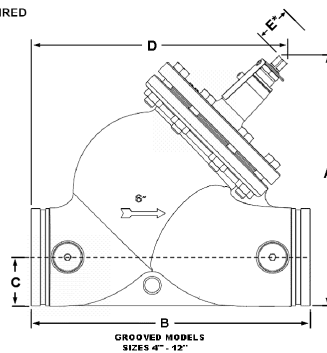
To retain calibrated accuracy, a minimum length of unrestricted straight pipe adjacent to the valve should be maintained as follows:

SIZE INCHES (mm)	UPSTREAM "A" (In Pipe Diameters)	DOWNSTREAM "B" (In Pipe Diameters)
4"-12" (101.6-304.8)	5	2



Best use results maximize straight pipe length entering and leaving valve. Obstructions or changes in planar flow profiles entering valve may affect accuracy if too close to valve.

\*DISTANCE REQUIRED TO DISASSEMBLE (VALVE CLOSED)



DIMENSIONS AND WEIGHTS\*

DIMENSIONS IN INCHES (MM)

MODEL NO.	PIPE SIZE	CONNS.	A		B	C	D		E	F	MAX. WIDTH OF VALVE	WEIGHT IN LBS. (Kg)
			OPEN	CLOSED			OPEN	CLOSED				
CB-4G	4 (101.6)	GRVD.	14-5/8 (371.5)	13-5/8 (346.1)	15-1/8 (384.2)	2-1/4 (57.2)	15-11/16 (424.0)	13-15/16 (354.0)	6-1/4 (158.8)	-	9 (228.6)	70 (32)
CB-5G	5 (127)	GRVD.	16-9/32 (413.5)	15-1/32 (407.2)	17-1/8 (435.0)	2-25/32 (70.6)	17-11/32 (440.5)	15-9/16 (395.3)	6-7/8 (174.6)	-	10 (254.0)	86 (39)
CB-6G	6 (152.4)	GRVD.	18-9/16 (471.5)	17-1/16 (433.4)	19 (482.6)	3-5/16 (84.1)	19-1/2 (495.3)	17-13/32 (442.1)	8-1/4 (209.6)	-	11 (279.4)	160 (73)
CB-8G	8 (203.2)	GRVD.	22-5/16 (566.7)	20-13/16 (528.6)	22-1/2 (571.5)	4-5/16 (109.5)	22-3/8 (568.3)	20-5/16 (516.0)	10-3/8 (263.5)	-	14-1/4 (362.0)	270 (123)
CB-10G	10 (254)	GRVD.	26-1/4 (666.8)	23-7/8 (606.4)	26-1/2 (673.1)	5-3/8 (136.5)	26-1/32 (661.2)	23-3/16 (589.0)	12-1/4 (311.2)	-	17 (431.8)	384 (174)
CB-12G	12 (304.8)	GRVD.	30-3/8 (771.5)	28 (711.2)	31 (787.4)	6-3/8 (161.9)	30-7/16 (773.1)	26-15/16 (684.2)	14-1/2 (368.3)	-	20 (508.0)	546 (248)

All dimensions are +/- 0.125" (3.2 mm) tolerance. Dimensions are subjected to change. Not to be used for construction purposes unless certified.

SCHEDULE

MODEL NO.	PART NO.	TAGGING INFORMATION	QUANTITY
CB-4G	117476		
CB-5G	117477		
CB-6G	117478		
CB-8G	117479		
CB-10G	117480		
CB-12G	117481		

Xylem Inc.  
 8200 N. Austin Avenue  
 Morton Grove, IL 60053  
 Phone: (847)966-3700  
 Fax: (847)965-8379  
 www.xyleminc.com/brands/bellgossett

