

MODEL BR4XL

1/2", 3/4", 1", 1-1/4", 1-1/2" & 2"



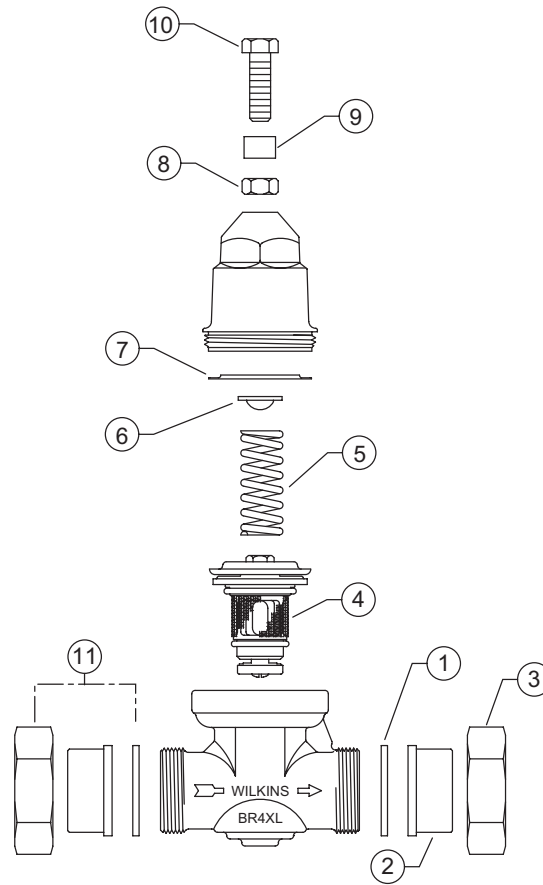
Item No.	Description	1/2"	3/4"	1"	BR4XL	BR4XLC	BR4XLDU	BR4XLDUC	BR4XLDULU	BR4XLEC
1	UNION GASKET	62-13	62-13	63-13	●	●	●	●		●
2	TAILPIECE (FNPT)	751-19XL	602-19XL	63-19XL	●		●			●
	TAILPIECE (FC)	751C-19XL	602C-19	63C-19		●		●		
3	UNION NUT	62-9-010F	62-9-010F	63-9-010F	●	●	●	●		●
4	CARTRIDGE	BR2-CARTXL	BR2-CARTXL	BR3-CARTXL	●	●	●	●	●	● ★
5	SPRING	BR2-33SS	BR2-33SS	BR3-33SS	●	●	●	●	●	● ★
6	SPRING DISC	BR2-80A	BR2-80A	BR3-80A	●	●	●	●	●	● ★
7	FRICTION RING	BR2-80C	BR2-80C	BR3-80C	●	●	●	●	●	● ★
8	LOCKNUT	501B-9	501B-9	501B-9	●	●	●	●	●	●
9	SPACER	BR2-12P	BR2-12P	BR2-12P	●	●	●	●	●	
10	ADJUSTMENT BOLT	NR3-11A	NR3-11A	NR3-11A	●	●	●	●	●	●
11	TAILPIECE KIT NPT	12X34-TPKXL	34-TPKXL	1-TPKXL	●		●			●
	TAILPIECE KIT COPPER	12X34-TPKXLC	34-TPKXLC	1-TPKXLC		●		●		

Item No.	Description	1-1/4"	1-1/2"	2"	BR4XL	BR4XLC	BR4XLDU	BR4XLDUC	BR4XLDULU	BR4XLEC
1	UNION GASKET	604-13	605-13	606-13	●	●	●	●		
2	TAILPIECE NPT (FEM)	604-19XL-010F	605-19XL-010F	606-19XL-010F	●		●			
	TAILPIECE COPPER (FEM)	604C-19	605C-19	606C-19		●		●		
3	UNION NUT	604-9-010F	605-9-010F	606-9-010F	●	●	●	●		
4	CARTRIDGE	BR3-CARTXL	BR5-CART-XL	BR5-CART-XL	●	●	●	●	●	
5	SPRING	NR4-33	BR5-33XL	BR5-33XL	●	●	●	●	●	● ★
6	SPRING DISC	BR3-80A	BR3-80A	BR3-80A	●	●	●	●	●	● ★
7	FRICTION RING	BR3-80C	BR5-80CXL	BR5-80CXL	●	●	●	●	●	● ★
8	LOCKNUT	501B-9	501B-9	501B-9	●	●	●	●	●	
9	ADJUSTMENT BOLT	NR4-11A	602A-11A	602A-11A	●	●	●	●	●	
10	TAILPIECE KIT NPT	114-TPKXL	112-TPKXL	2-TPKXL	●		●			
	TAILPIECE KIT COPPER	114-TPKXLC	112-TPKXLC	2-TPKXLC		●		●		

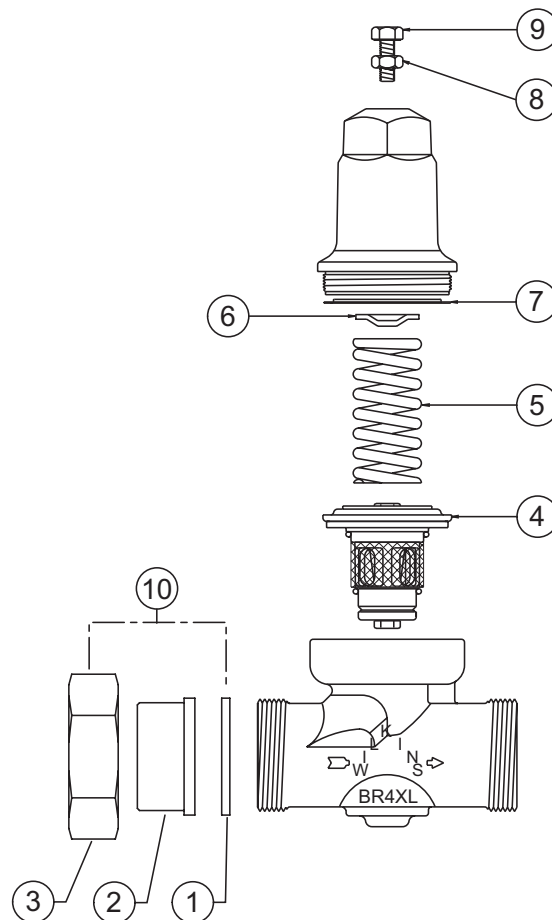
- Item included in specified Model
- ★ Repair kit items (all ★ items in kit)

MODEL BR4XL

Parts Drawing



BR4XL (1/2", 3/4" & 1")



BR4XL (1 1/4", 1 1/2" & 2")