



Model YBXL

Domestic Bronze "Y" Type Strainer

Application

Designed for installation on potable water lines to protect against sediment and debris. Ideal for use where lead-free* fittings are required.

Standards Compliance

- Conformance to MIL-S-16293
- Certified to NSF/ANSI 372* by IAPMO R&T
*(0.25% MAX. WEIGHTED AVERAGE LEAD CONTENT)

Materials

Main valve body Low Lead Cast Bronze ASTM B 584
 Access covers Low Lead Bronze ASTM B 584 or Low Lead Brass
 Screens 20 Mesh Stainless Steel, 300 Series

Features

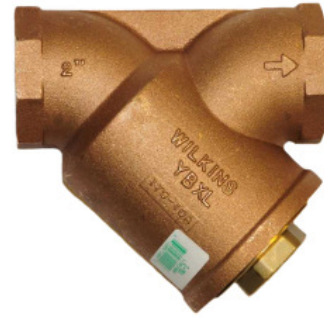
Sizes: 1/2", 3/4", 1", 1 1/4", 1 1/2", 2", 2 1/2", 3"

Pressure / Temperature:

MODEL YBXL 400 psi@ 180°F WOG

MODEL YBXL C 400 psi@ 150°F

End Connections Threaded ANSI B 1.20.1
 (Closure plug available but not standard, sizes 1/2" - 2"; plug standard on 2 1/2" & 3")



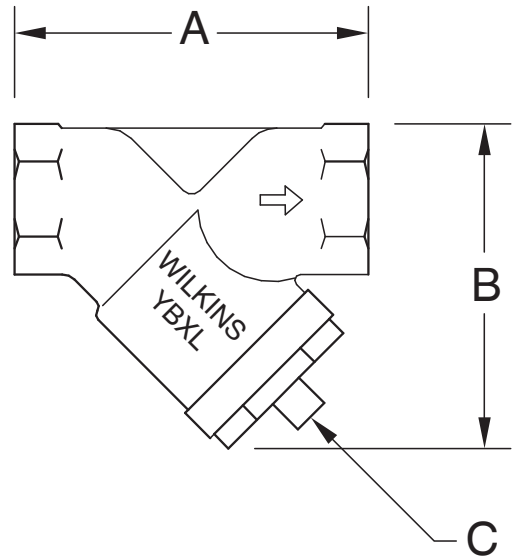
Options (Suffixes can be combined)

- P - with tapped access cover & pipe plug
- C - with copper sweat connections (1/2" - 2")
- 40 - with 40 mesh strainer screen
- 60 - with 60 mesh strainer screen
- 80 - with 80 mesh strainer screen
- 100 - with 100 mesh strainer screen

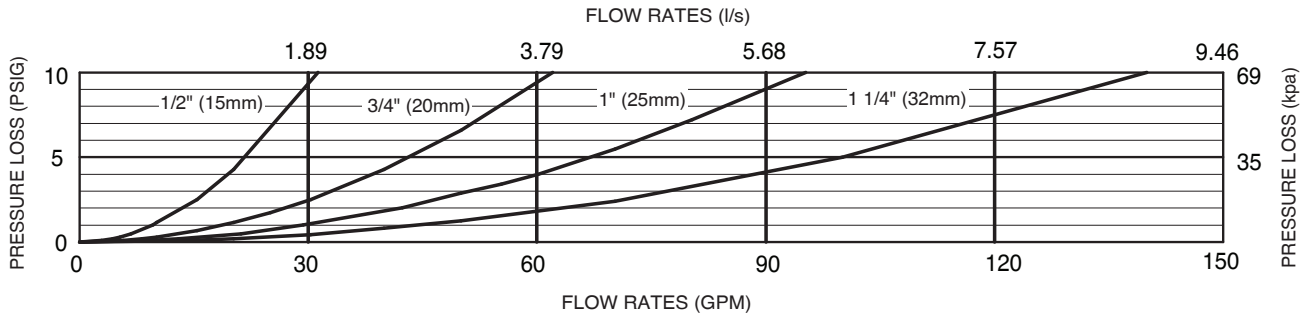
Dimensions & Weights (do not include pkg.)

MODEL YBXL (NPT CONNECTION)								
SIZE		DIMENSIONS (approximate)					WEIGHT	
		A		B		C		
in.	mm	in.	mm	in.	mm	in.	lbs.	kg.
1/2	15	3 1/8	79	2	51	3/8 NPT	1	0.5
3/4	20	3 5/16	84	2 5/16	58	1/2 NPT	1	0.5
1	25	4 1/2	114	3	76	3/4 NPT	2	1
1 1/4	32	4 11/16	119	4 5/8	117	3/4 NPT	4	2
1 1/2	40	5 3/16	130	5 1/8	130	3/4 NPT	5	2.5
2	50	6 1/8	156	6 1/4	159	3/4 NPT	7	3
2 1/2	65	8 1/4	210	7	178	1/2 NPT	14	6.5
3	80	11 1/8	282	7 1/2	191	1/2 NPT	25	11.5

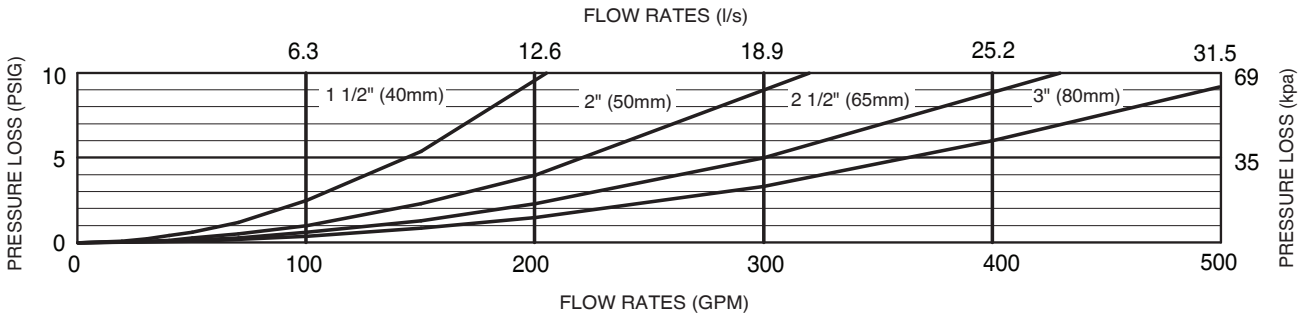
MODEL YBXL C (COPPER SWEAT CONNECTION)								
SIZE		DIMENSIONS (approximate)					WEIGHT	
		A		B		C		
in.	mm	in.	mm	in.	mm	in.	lbs.	kg.
1/2	15	3 5/16	84	2	51	3/8 NPT	1	0.5
3/4	20	3 3/4	95	2 5/16	58	1/2 NPT	1	0.5
1	25	5	127	3	76	3/4 NPT	2	1
1 1/4	32	5 5/8	143	4 5/8	117	3/4 NPT	4	2
1 1/2	40	6 7/16	164	5 1/8	130	3/4 NPT	5	2.5
2	50	7 3/8	187	6 1/4	159	3/4 NPT	7	3



MODEL YBXL 1/2" thru 1 1/4" (STANDARD & METRIC)

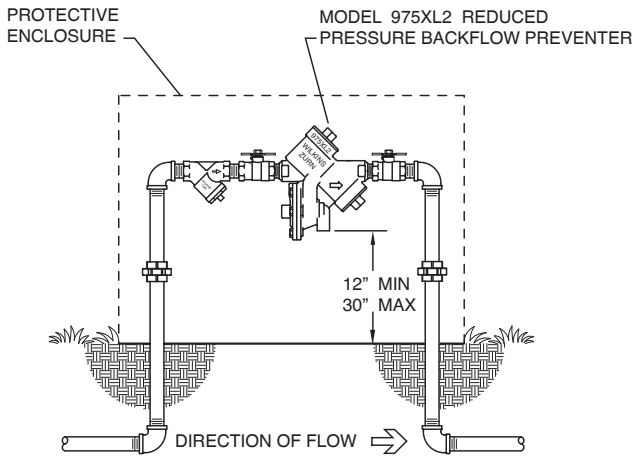


MODEL YBXL 1 1/2" thru 3" (STANDARD & METRIC)

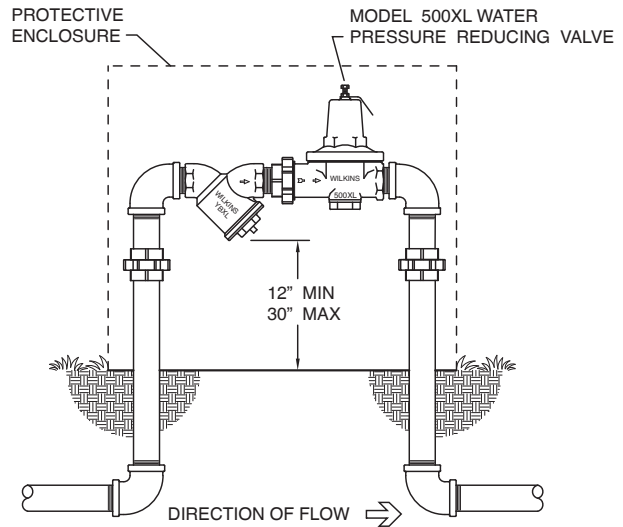


Typical Installation

Local codes shall govern installation requirements. Unless otherwise specified, the assembly shall be mounted in accordance with the latest edition of the Uniform Plumbing Code. If installed below grade, be certain adequate drainage is provided to prevent the device from being submerged. Horizontal installation with the strainer cap facing downward is the preferred installation orientation; however the strainer will provide protection in any orientation.



Typical Installation



Typical Installation

Specifications

The "Y" type strainer shall be domestically manufactured, and conform to MIL-S-16293, and be certified to NSF/ANSI 372. The main body shall be low lead bronze (ASTM B 584), the access cover shall be low lead yellow brass (ASTM B 16) or cast bronze (ASTM B 584), the strainer screen shall be 300 series stainless steel and available in 20, 40, 60, 80 or 100 mesh. Screens shall be accessible for cleaning without removing the device from the line. The "Y" type strainer shall be a ZURN WILKINS Model YBXL.