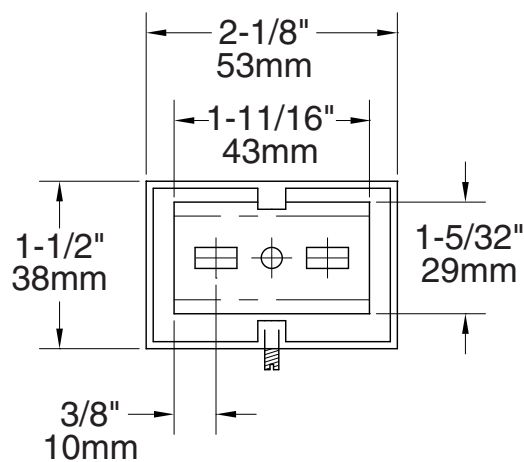
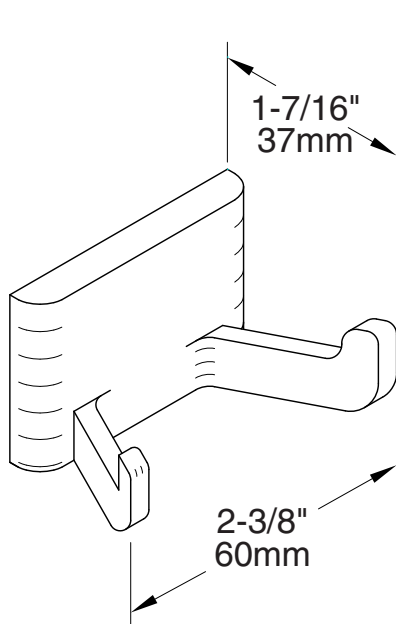


Date:

Project Name:



Mounting Plate

CONSTRUCTION:

Robe Hooks are die-cast from highest quality virgin zinc alloy (Zamak) to meet ASTM standard B-86. Castings are highly polished and plated with chrome, polished brass, or antique brass. Wall plate is 19-gauge (1.1mm) zinc-plated steel.

INSTALLATION:

Mount wall plate on wall surface in horizontal position with 2- #8 x 1-1/4" (32mm) roundhead zinc-plated steel screws provided. Slip robe hook over wall plate and tighten set screw until secure. Wood blocking is preferable behind all wall surfaces.

NOTE:

If wood blocking is not available, the following fasteners are suggested:

- Tile/Masonry - Plastic or lead anchors
- Plaster/Drywall - Toggle bolts

Robe Hook shall be Model 753 of Gamco Commercial Restroom Accessories, A Division of Bobrick, Durant, OK