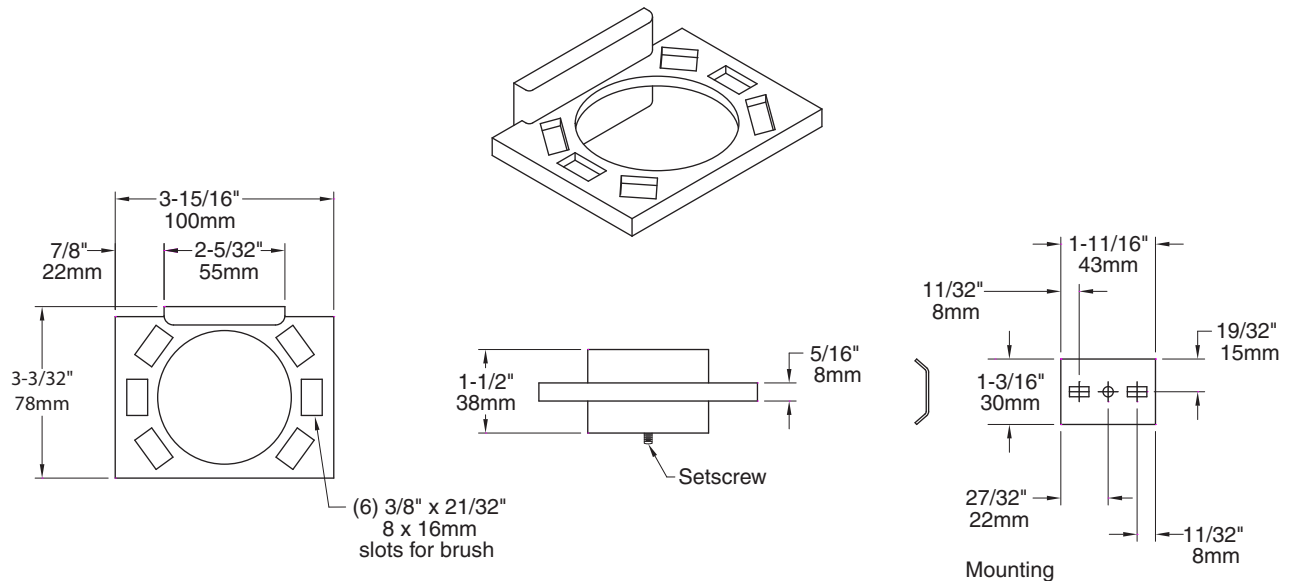


Date:

Project Name:



CONSTRUCTION:

Brush and tumbler holder is die-cast from highest quality virgin zinc alloy (Zamak) to meet ASTM standard B-86. Castings are highly polished and plated with chrome. Wall plate is 18-gauge (1.2mm) zinc-plated steel.

INSTALLATION:

Mount wall plate on wall surface in horizontal position with 2- #8 x 1-1/4" (32mm) roundhead zinc-plated steel screws provided. Slip holder over wall plate and tighten set screw until secure. Wood blocking is preferable behind all wall surfaces.

Toothbrush and Tumbler Holder shall be Model 757 of Gamco Commercial Restroom Accessories, A Division of Bobrick, Durant, OK