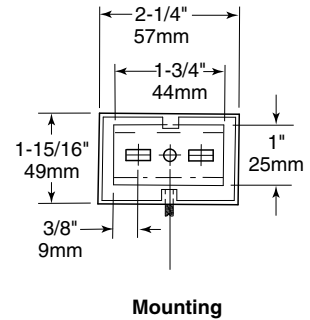
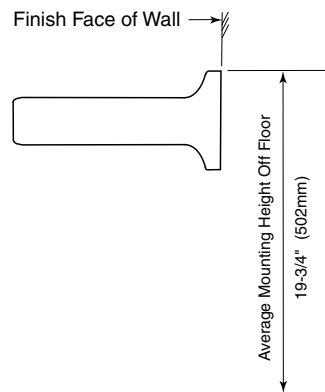
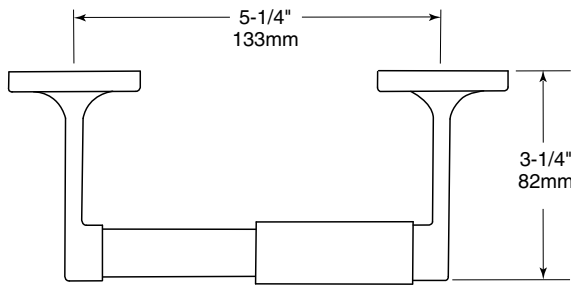
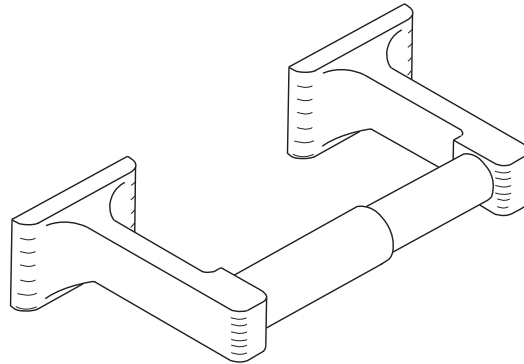


Date:

Project Name:



Mounting

CONSTRUCTION:

Polished stainless steel with chrome roller.

CAPACITY:

Holds standard core toilet tissue roll up to 5-1/4" (133mm) diameter.

OVERALL DIMENSIONS:

7-7/8" W x 1-15/16" H (200 x 49mm), projects 3-1/4" (83mm) from wall.

Surface-Mounted Toilet Tissue Holder shall be Model 761 of Gamco Commercial Restroom Accessories, A Division of Bobrick, Durant, OK