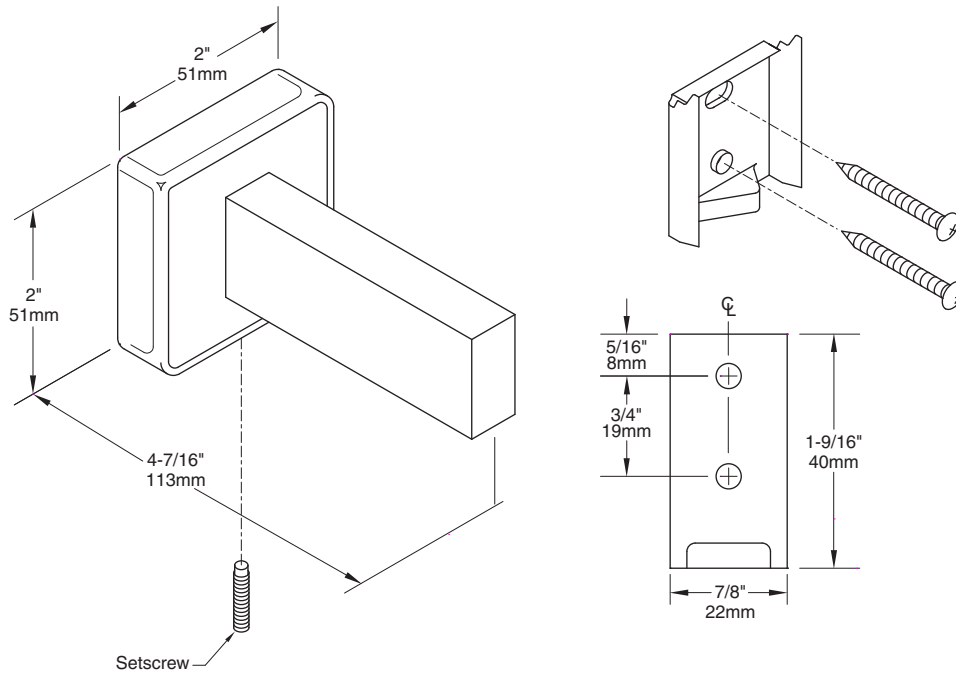


Date:

Project Name:

- Specify Finish Required:**
- 76777** Satin-Finish Stainless Steel
  - 7677** Bright-Polished Finish Stainless Steel



**MATERIALS:**

**Inner Wall Flange** - 18-gauge (1.2mm) type 304 stainless steel

**Cover Wall Flange** - 22-gauge (0.8mm) type 304 stainless steel

**Projecting Post** - 22-gauge (0.8mm) type 304 stainless steel

All components welded construction with concealed screw attached on 20-gauge (0.9mm) stainless steel wall plate.

**INSTALLATION:**

Mount wall plate on wall surface in vertical position with sheet-metal screws provided. Slip wall flange / projecting post over wall plate and tighten setscrew until secure. Wood blocking is preferable behind all wall surfaces.

**NOTE:**

If wood blocking is not available, the following fasteners are suggested:

- Tile/Masonry - Plastic or lead anchors
- Plaster/Drywall - Toggle bolts

**Towel Pin shall be Model \_\_\_\_\_ (insert model number) of Gamco Commercial Restroom Accessories, A Division of Bobrick, Durant, OK**