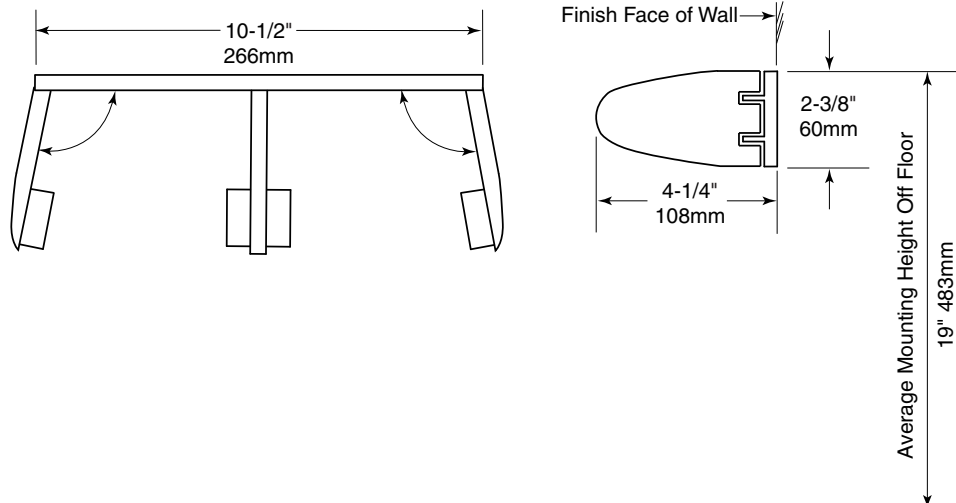
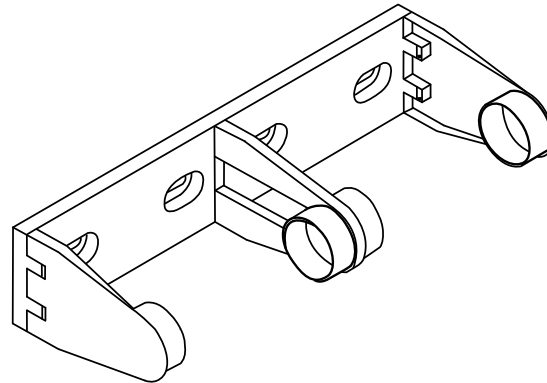


Date:

Project Name:



CONSTRUCTION:

Bright-polished chrome-plated zamak.

CAPACITY:

5-1/4" (133mm) diameter; 1800 sheets

INSTALLATION:

Mount unit on wall with two #10 x 1-1/4" (4.8 x 32mm) sheet-metal screws. For plaster or drywall construction, provide concealed backing to comply with local building codes, then secure unit with sheet-metal screws. For other wall surfaces, provide fiber plugs or expansion shields for use with sheet-metal screws. For other wall surfaces, provide fiber plugs or expansion shields for use with sheet-metal screws, or provide 1/8" (3mm) toggle bolts or expansion bolts.

OVERALL DIMENSIONS:

10-1/2" W x 2-3/8" H x 4-1/4" D (266 x 60 x 108mm)

Surface-Mounted Double Toilet Tissue Holder shall be Model 830 of Gamco Commercial Restroom Accessories, A Division of Bobrick, Durant, OK