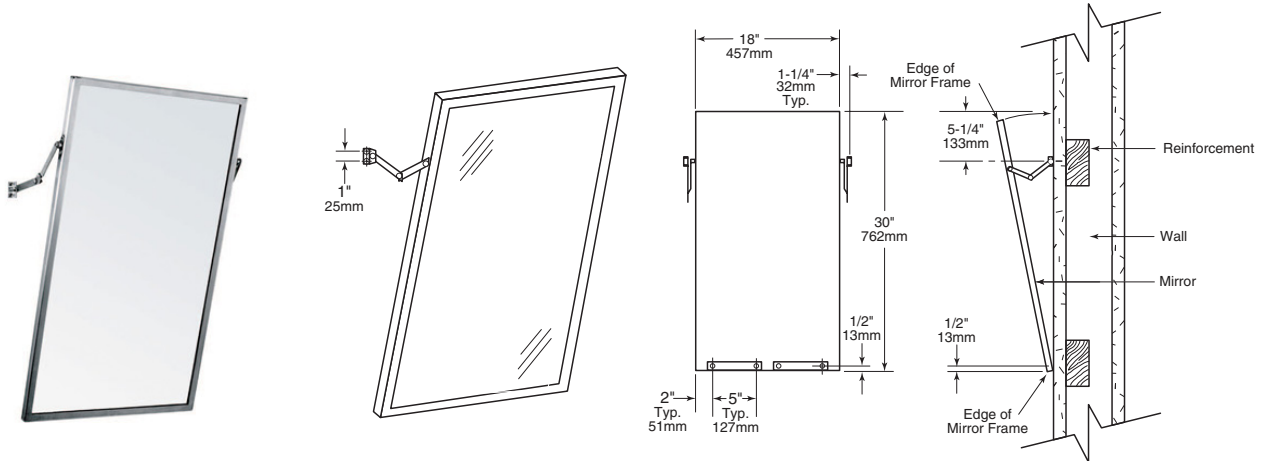


OPTIONS: *Special reflective surfaces, add suffix:*

- T 1/4" tempered glass mirror
 - L 1/4" laminated glass mirror
 - SS 20 gauge 430 bright annel stainless steel
- Custom sizes available



CONSTRUCTION:

Frame — fabricated of 18-8 type 304 stainless steel with exposed surfaces having a #4 satin-finish. One piece roll formed angle is 5/8" x 5/8" (16 x 16mm) welded-frame. All welded construction. Corners are welded ground and polished smooth.

Back Pane — fabricated of galvanized steel. Shock absorbing material is placed between mirror and back panel.

Standard Mirror Glass — #1 quality, 1/4" (6mm) plate/float glass guaranteed against silver spoilage for 25 years. Meets and exceeds federal specifications DD-M-00411B & C. S. 27.

SPECIAL REFLECTIVE SURFACES:

These surfaces resist breakage and provide a measure of safety from broken glass, but differ in color and reflective quality from standard glass mirrors.

INSTALLATION:

Surface-mounted. Mirror installs on adjustable elbows and stainless steel piano hinge for adjustment of tilt mirror. Secure to wall with 8 #10 x 1-1/2" (38mm) flat head full threaded screws. Mirror is replaceable in field.

ADA GUIDE:

Access to mirrors should be 40" (1016mm) from bottom edge of reflective surface to the finish floor. Full length mirrors will accommodate all facilities.

Adjustable Tilt Mirror shall be Model AT 18 x 30 of Gamco Commercial Restroom Accessories, A Division of Bobrick, One Gamco Place, Durant, OK.