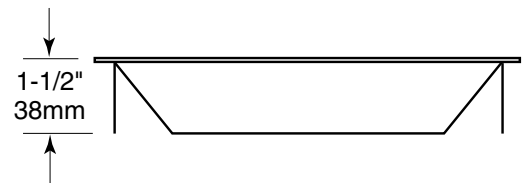
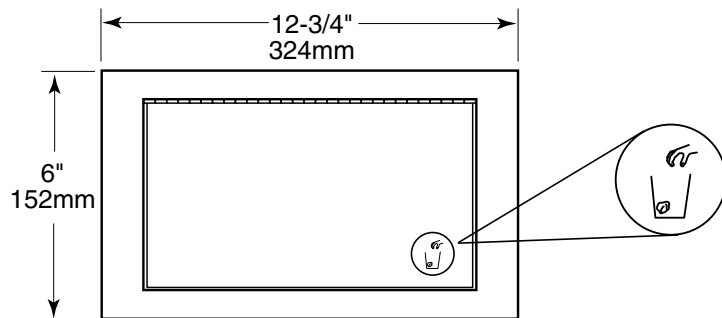
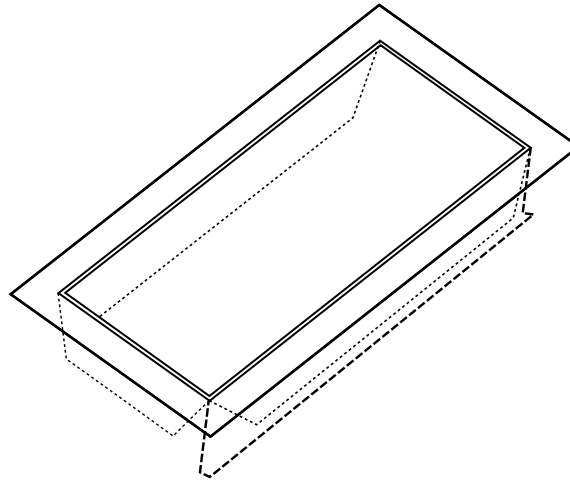


Date:

Project Name:



Rough Countertop Cutout

4-1/2" (114mm) high
11-1/4" (286mm) wide
3/4" to 1-1/2" (19 to 38mm) mounting thickness
17" (432mm) minimum clearance below
mounting surface

CONSTRUCTION:

Door fabricated of 22-gauge (0.8mm) and Frame fabricated of 18-gauge (1.22mm) type 304 stainless steel with exposed surfaces having a satin-finish. Waste door is self closing, and mounted on a full length spring loaded stainless steel piano-hinge. All welded construction.

OVERALL DIMENSIONS:

6" H x 12-3/4" W (152 x 324mm)

MOUNTING:

Check with mechanical engineer for plans for counter-mounting.

Countertop Waste Door shall be Model CT-2 of Gamco Commercial Restroom Accessories, A Division of Bobrick, One Gamco Place, Durant, OK