

Suggested Installation Position:

Distance: At least 20cm for Table Top (Fig. 1).

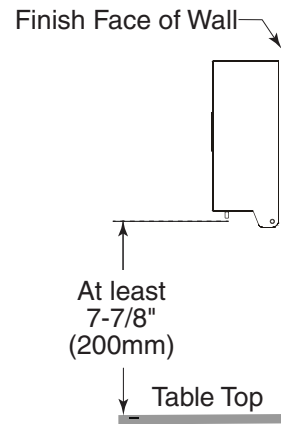


Fig. 1

Parts List:

No. Description

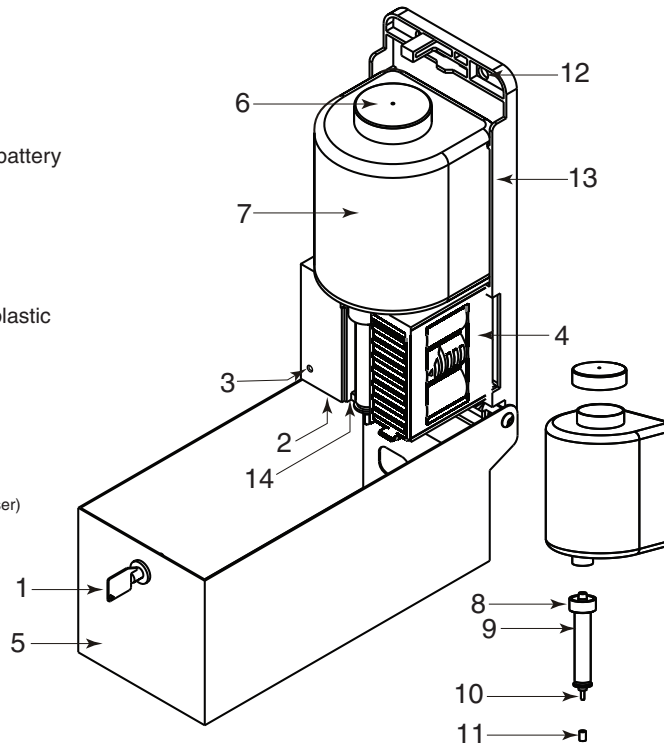
1. Security Key
2. Sensor assembly
3. Led indicator for low battery
4. Battery assembly
5. Housing

Container Assembly:

6. Tank cover
7. Soap tank
8. Connector between plastic pipe and container
9. Plastic pipe
10. Nozzle
11. Nozzle cap

For Installation:

12. Two Holes
(For hanging up the Dispenser)
13. Back plastic plate
14. Plug



Warranty:

Automatic Liquid or Foam Soap Dispenser is warranted to be free from defects in workmanship and material under normal usage from the date of purchase for a period of 1 year.

GAMCO

Commercial Restroom Accessories
A Division of Bobrick

Form No. G-950SA-69 r4/25/14 © 2014 by Gamco Printed in U.S.A.

One Gamco Place, Durant, Oklahoma, 74701
Phone: (580) 924-8066, Fax: (580) 920-2050
Customer Service:

New York: (518) 877-7444, FAX: (518) 877-5029
California: (818) 982-9600, FAX: (588) 503-9287
Email: bobrickcustomerservice@bobrick.com

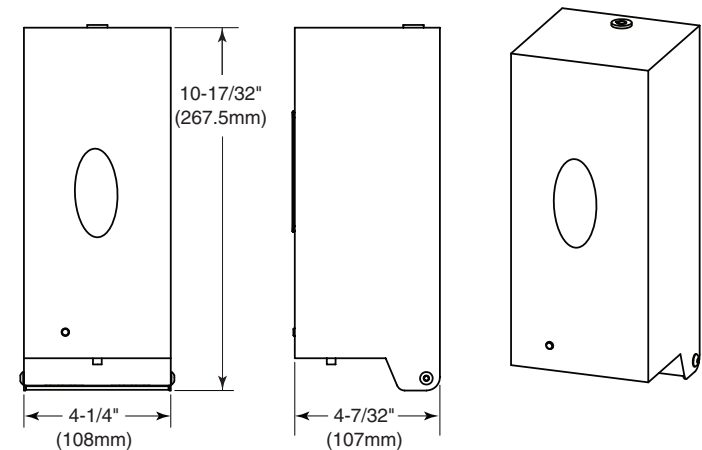
AUTOMATIC, SURFACE-MOUNTED LIQUID SOAP DISPENSER

Instructions for Installation, Operation & Maintenance Gamco Model G-950SA Liquid or G-9850FA Foam Soap Dispenser

Specifications: Dimensions (W x H x D) (inches (mm)):	4-1/4" x 10-17/32" x 4-7/32" (108 x 267.5 x 107)
Soap Tank Capacity (fl. oz. (ml)):	27 (800)
Battery Type Required:	Alkaline (1.5C) C size, Qty 3
Cover:	Stainless steel, satin finished
Battery Life Estimated:	70,000 cycles or 1 year
Detection Range Automatic:	2.40 (60) ± 1.5 (38)
Room Temperature {°F (°C)}:	41 ~ 104 (5 ~ 40)
Sensing Delay Time (msec):	500 ~ 1k
Dispensing Volume (fl. oz. (ml)):	0.027 ~ 0.040 (0.8 ~ 1.2)
Applicable Viscosity Range (cP (MPas)):	1 ~ 3000
Unit Net Weight empty (oz. (kg)):	35.2 (1.0)
Operation Mode:	Automatic from Sensor Trigger
Supply Reservoir Types:	800 ml reusable (included) or 800 ml disposable (supplied by others)
Pump Type:	Peristaltic Tube (self-contained valve/nozzle)

Unit Size:

DIM'S inch (mm)



User's Instructions:

1. Place hand below the dispenser spout within the sensing range. The dispenser will automatically release the preset amount of liquid or foam soap from the nozzle spout.
2. Obtain additional soap by withdrawing hand and then again placing hand below the dispenser spout within the sensing range.

Sensing Range:

Sensing is automatically controlled to set the appropriate distance for the triggering zone. This is based upon mounting height above the counter or floor and the ambient and reflected lighting conditions. There are no user adjustable controls for this feature. It is important to observe the installation position and install unit above the minimum distance noted for each type of field condition. If lighting conditions change during the life of the installation the unit will automatically readjust itself to accommodate the new environment with no intervention by owner. Counter top reflective quality changes constitute a new environment condition and may require relocation to just above the appropriate minimum.

Important Notice:

1. Ensure no bright source is aimed or reflected at the sensor from below.
2. Use fresh new liquid or foam soap only and clean the soap container properly before each re-fill. Deposits of old soap will lead to malfunction and jamming.
3. Do not dilute liquid or foam soap unless concentrate and do not use soap containing abrasive. Observe indicated viscosity factor of liquid or foam soap.
4. Do not immerse the soap dispenser in water or clean it under running water. This will lead to short circuit.
5. Should the dispenser be out of order and batteries have been replaced, do not attempt any repair work. Call your dealer for professional assistance.

Battery Low Indication:

With housing open and soap reservoir removed (see Service Instructions) perform the following diagnostic test:

1. Press and push up the cover safety interlock switch on bottom to click and hold it.
2. Observe that the LED is lit blue and then flashes three (3) times indicating proper operation "stand-by" condition and battery charge level.
3. If LED continues to flash blue the indication is positive to replace the batteries.

Troubleshooting

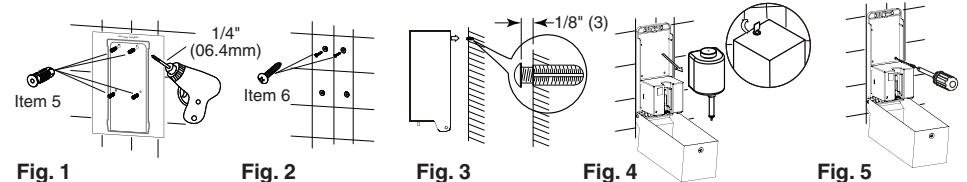
Problem Symptom	Solution Diagnostic
No soap dispensed on hands	<ul style="list-style-type: none"> • Check soap qualities, properties and level in reservoir. • Check sensor cover for dirt obscuring the lens. • Check battery charge level. • Check spout nozzle, cap air hole and valve tube for clogs. • Check for reflected sensor signals jamming detector.
Battery LED indicator no flash	<ul style="list-style-type: none"> • Replace batteries.
Low Volume soap dispensed	<ul style="list-style-type: none"> • Remove soap container and wash out spout nozzle, cap air hole and valve tube and replace with fresh new soap. • Check if cradle gate is not properly latched. • Check if valve tube is loose in cradle or cross-threaded.
Soap leaks at bottom of housing	<ul style="list-style-type: none"> • Check if valve tube is cross-threaded onto bottom of reservoir or reservoir is damaged/punctured. • Check disposable soap cartridge for defects and/or replace.

Before Installation:

1. Provide vertical, clean and smooth mounting surface.
2. Make sure there is enough room above dispenser to access cover lock key.
3. Ensure there are no obstructions below unit in sensor zone.
4. Check operation of unit while holding in place by hand **BEFORE** permanent installation.

Installation Steps, Tile or Dry Wall:

1. Tape the installation template at the appropriate location on the mounting surface.
2. Drill four (4) holes at marked locations 1/4" diameter (06.4).
3. Insert four (4) plastic anchors (supplied) into drilled holes; remove template (Fig. 1).
4. Insert two (2) screws (supplied) into top plastic anchors and leave 1/8" (3) space from the wall under head (Fig. 2 and Fig. 3) for hanging dispenser.
5. Hang the dispenser on the two (2) screws through the keyhole slots at backplate top.
6. Use key to unlock and pull forward the housing cover (Fig. 4).
7. Remove soap reservoir and lock dispenser to wall with remaining two (2) screws (supplied) through the holes at backplate bottom. Tighten all screws (Fig. 5).

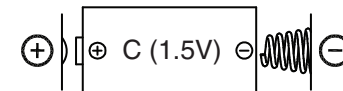


Installation Steps, Adhesive on Mirror:

1. Clean Mounting Surface in area to be installed with isopropyl alcohol.
2. Mark outline of dispenser on mirror with masking tape.
3. Remove paper liners from self-adhesive pads on dispenser backplate.
4. Place unit on mounting surface with even steady pressure and hold for 1 minute.
5. Let tape cure for 10 hours prior to filling dispenser with soap for use.

Installation Steps Check:

1. Check to insure that dispenser is firmly attached to mounting surface.
2. Check to ensure that correct viscosity soap is filled into reservoir.
3. Check to ensure that soap container cover is closed and air vent hole is not blocked.
4. Check to ensure that soap container is clean (no spill-over) and not leaking.
5. Check to ensure that cradle gate is latched on valve tube (lift, push and press down to engage pins to latch or unlatch in reverse operation).
6. Check to ensure that three (3) new Alkaline Type "C" batteries are installed with correct polarity (note the +/- indication Fig. 6, typical).
7. Check to ensure that the battery box plug is properly engaged with the cable and the compartment door is closed.
8. Check to ensure that the LED is lit blue and then flashes three (3) times by pushing up the cover safety.
9. Check to ensure that the housing is properly locked and the security key is retained.
10. Check to ensure that the plastic nozzle cap was removed.



Caution: Batteries installed with incorrect polarity may cause malfunction.