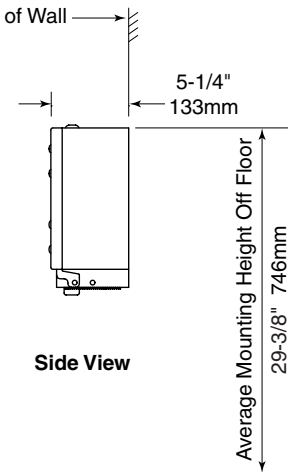
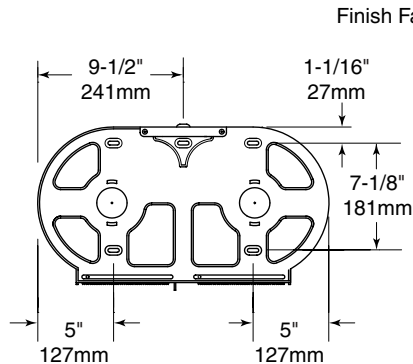
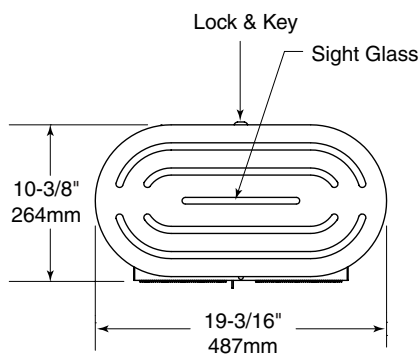
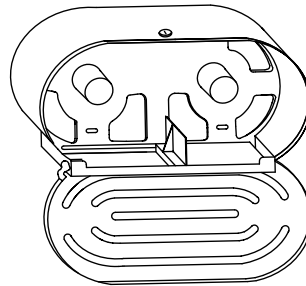


Date:

Project Name:



Rear View

Side View

CONSTRUCTION:

Door and wrapper are 20-gauge (0.89mm) type 304 stainless steel with a #4 satin-finish. Internal spindles and shell are HEAVY GAUGE gray plastic. Sliding panel exposes one roll at a time and allows for easy roll changeover. Door equipped with sight-glass for viewing expense of each roll of tissue.

CAPACITY:

Two 9" (289mm) roll-type toilet tissue. Spindles accommodate 3-1/4" (83mm), 3" (76mm), and 2-1/4" (57mm) core rolls. Core adapters are included.

Jumbo-Roll Toilet Tissue Dispenser shall be Model TTD-11 of GAMCO Commercial Restroom Accessories, A Division of Bobrick, One Gamco Place, Durant, OK