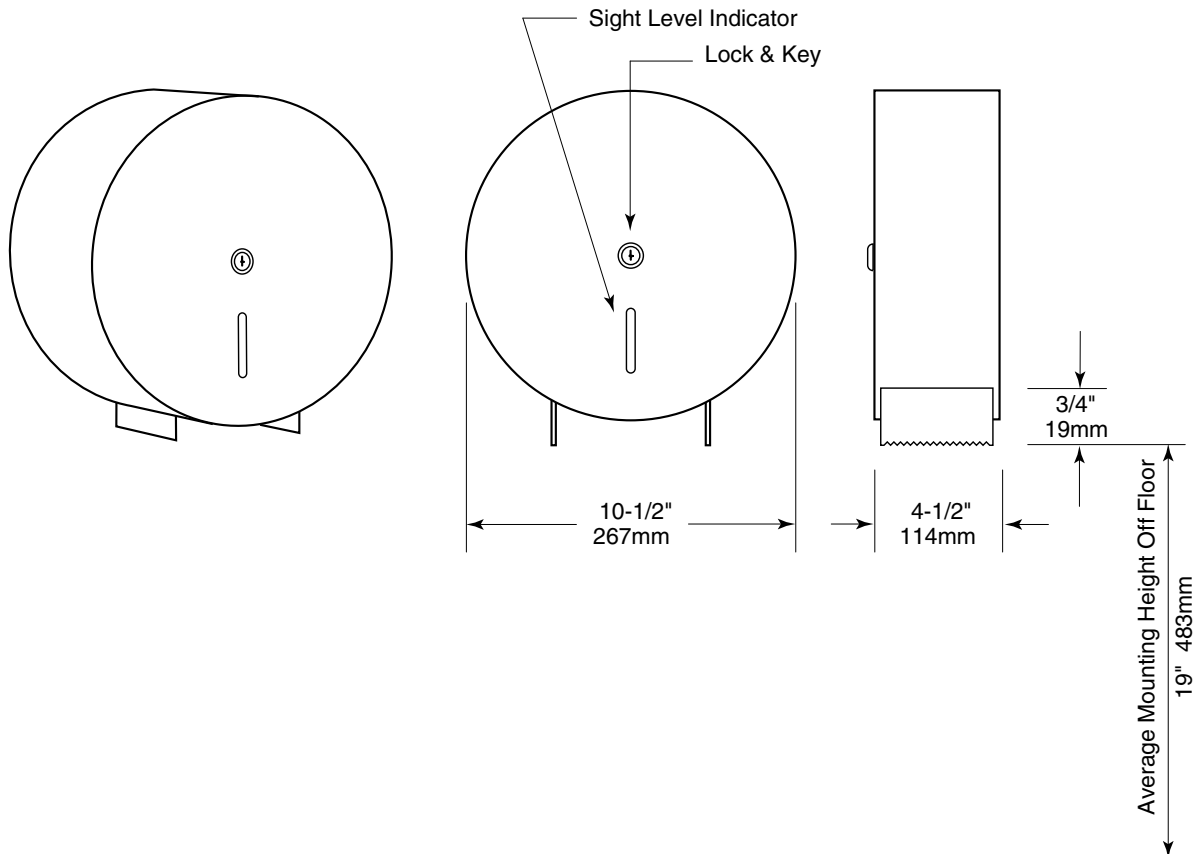


Date:

Project Name:



CONSTRUCTION:

Unit fabricated of type 304 22-gauge (0.8mm) stainless steel. All welded construction with exposed surfaces having a #4 satin-finish. Dispenses one standard 9-3/8" (238mm) diameter by 4" (102mm) wide roll of toilet tissue. Unit provided with key lock and open hinges for easy loading of new roll. Sight level indicator provided.

Jumbo Toilet Tissue Dispenser for 9-3/8" (238mm) Roll shall be Model TTD-13 of GAMCO Commercial Restroom Accessories, A Division of Bobrick, One Gamco Place, Durant, OK