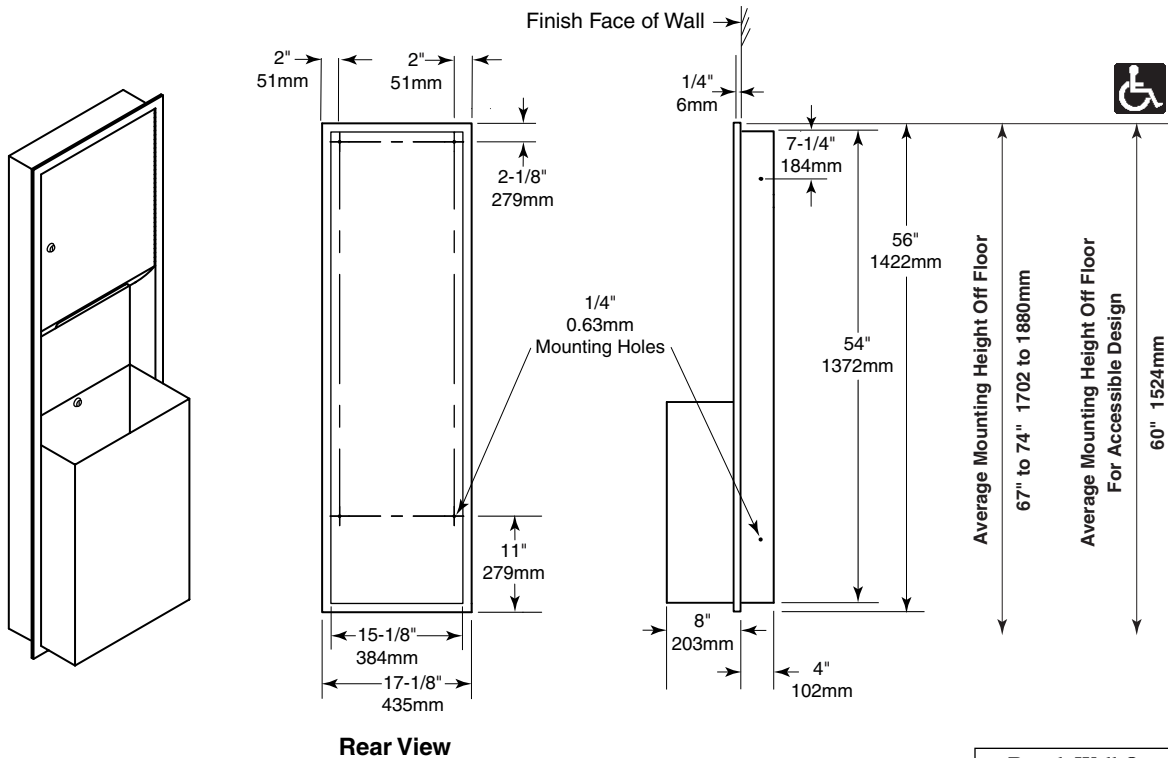


Date:

Project Name:



**Rear View**

**Rough Wall Opening**

15-3/4" (400mm) wide  
54-3/4" (1390mm) high  
4" (102mm) minimum  
recessed depth

**CONSTRUCTION:**

Unit fabricated of type 304 stainless steel with exposed surfaces having satin-finish. One piece seamless 22-gauge (0.8mm) flange provided with 1/4" (6mm) return for rigidity. EXTRA HEAVY 18-gauge (1.2mm) door, warp free, hung on continuous stainless steel piano-hinge, and fitted with tumbler lock. Waste receptacle is 22-gauge (0.8mm) and is secured to cabinet with tumbler lock and is removable for servicing. All welded construction.

**NOTE:**

Unit comes standard keyed like other GAMCO accessories.

**CAPACITY:**

600 C-fold or 800 multi-fold towels. Waste receptacle is 18-gallon (68.0-L) capacity.

**OVERALL DIMENSIONS:**

17-1/8" W x 56" H x 12-1/4" D (435 x 1422 x 311mm), including waste receptacle.

**Recessed Towel Dispenser and Waste Receptacle Combination shall be Model TW-1-18 of GAMCO Commercial Restroom Accessories, A Division of Bobrick, One Gamco Place, Durant, OK.**