

WARRANTY

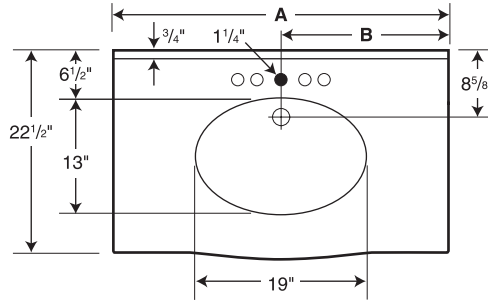
Limited Lifetime – Residential
Limited 25-year – Commercial

Manufactured from Swanstone solid surface
(See page 2 for detailed information.)

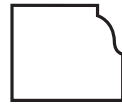
Recommended for high-use traffic areas and commercial surfaces.

FEATURES

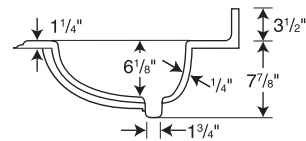
- Reinforced solid surface means color and texture run all the way through and cannot wear away.
- Coordinates with other Swanstone products.
- Easily accommodates all faucet styles.
- Chemical resistant—acetone will not harm.
- Heat resistant—hot curling irons will not damage it.
- Make-up and hair-dye can be buffed with household cleansers.
- Heat, stain and scratch resistant for lasting beauty.
- Gently curved front edge with sculpted ogee detailing.



○ Drill Points ● Pre-drilled



Roman Ogee Edge



Capacity: 2
gallons to overflow

Model	A	B
EV1B2225	25"	12-1/2"
EV1B2231	31"	15-1/2"
EV1B2237	37"	18-1/2"
EV1B2243	43"	21-1/2"
EV1B2249	49"	24-1/2"
EV1B2255	55"	27-1/2"
EV1B2261	61"	30-1/2"

SPECIFICATIONS
Europa Vanity Tops

Model	Part	Nominal Dimensions	Ship Wt. Lb.	Ship FedEx	Carton Dims. In.	Cu. Ft.
EV1B2225	EV02225	22-1/2" D x 25" W	28	FedEx	28 x 26 x 14	5.90
EV1B2231	EV02231	22-1/2" D x 31" W	33	FedEx	34 x 26 x 14	7.16
EV1B2237	EV02237	22-1/2" D x 37" W	41	FedEx	40 x 26 x 14	8.43
EV1B2243	EV02243	22-1/2" D x 43" W	43	FedEx	46 x 26 x 14	9.69
EV1B2249	EV02249	22-1/2" D x 49" W	44	FedEx	52 x 26 x 14	10.95
EV1B2255	EV02255	22-1/2" D x 55" W	50	-	58 x 26 x 14	12.22
EV1B2261	EV02261	22-1/2" D x 61" W	62	-	65 x 26 x 14	13.69

Includes: One compression-molded vanity top with overflow, integral bowl, back splash and installation instructions.

Packaging: Each unit is packed in a rectangular carton.

ACCESSORIES

- Optional EVTSS Side Splash available (See page 115)
- Optional Front and Side Apron available (See page 115)

STANDARDS AND RATINGS

American National Standard Institute—ANSI Z124.3

International Association of Plumbing and Mechanical Officials (IAPMO)—Listed

cUPC listed—Certified to CSA Test Standard B45.5 by IAPMO

Uniform Plumbing Code (UPC)

For a complete list of tests and results see the Technical Data Sheet – page 175.

SUPPORT DOCUMENTS

Installation instructions available at swanstone.com.

 **MADE IN USA**

COLORS

(See inside back cover for color sample.)

Solid Colors:

- White (010)
- Bone (037)
- Bisque (018)
- Bright White (137)
- Pearl (138)

Aggregate Colors:

- Acorn (123) 🍂
- Almond Galaxy (046)
- Arctic Granite (035)
- Baby's Breath (168)
- Barley (091)
- Bermuda Sand (040)
- Canyon (124) 🍂
- Caraway Seed (169)
- Cloud Bone (126)
- Cloud White (125)
- Cornflower (063)
- Glacier (121) 🍂

- Golden Steppe (128)
- Gray Granite (042)
- Ice (130)
- Indian Grass (071)
- Mountain Haze (129)
- Night Sky (012)
- Pebble (072)
- Prairie (122) 🍂
- Sierra (094)
- Tahiti Desert (050)
- Tahiti Gray (053)
- Tahiti Ivory (059)
- Tahiti Matrix (058)
- Tahiti Sand (051)
- Tahiti Terra (055)
- Tahiti White (011)
- Tundra (131)
- Winter Wheat (060)

MAINTENANCE AND CLEANING INFORMATION

Cleaning regularly with common household liquid cleaners is recommended. If necessary abrasive liquids or detergents are safe and effective for use with nylon scouring pads, sponges, Mr. Clean® Magic Eraser® or other similar products. Mineral-stain removers are acceptable as well. **Do not** use metal scouring pads.