



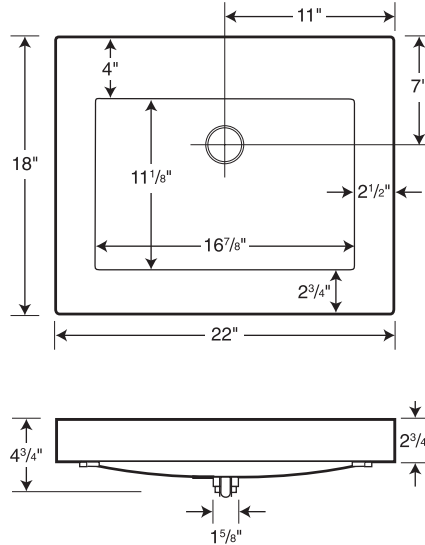
WARRANTY
 Limited Lifetime – Residential
 Limited 25-year – Commercial

Manufactured from Swanstone solid surface
 (See page 2 for detailed information.)

Recommended for high-use traffic areas and commercial surfaces.

FEATURES

- Swanstone solid surface means color and texture run all the way through and cannot wear away.
- Coordinates with other Swanstone products.
- Chemical resistant—acetone will not harm.
- Heat resistant – hot curling irons will not damage it.
- Make-up and hair-dye can be buffed with household cleansers.
- Heat, stain and scratch resistant for lasting beauty.
- ADA-compliant when installed to ADA guidelines.



Capacity: 1.6 gallons to overflow

SPECIFICATIONS

Palladio Above-Counter Washbasin

Model	Part	Nominal Dimensions	Ship Wt. Lb.	Ship FedEx	Carton Dims. In.	Cu. Ft.
WB-2218	WB02218	18" D x 22" W (457 mm x 559 mm)	25	FedEx	23 x 19 x 12	3.03

Includes: One compression-molded vanity bowl and installation instructions.
 Packaging: Each unit is packed in a rectangular carton.

COLORS

(See inside back cover for color sample.)

Solid Colors:

- White (010)
- Bone (037)
- Bisque (018)
- Bright White (137)
- Pearl (138)

Aggregate Colors:

- Acorn (123)
- Almond Galaxy (046)
- Arctic Granite (035)
- Baby's Breath (168)
- Barley (091)
- Bermuda Sand (040)
- Canyon (124)
- Caraway Seed (169)
- Cloud Bone (126)
- Cloud White (125)
- Cornflower (063)
- Glacier (121)

- Golden Steppe (128)
- Gray Granite (042)
- Ice (130)
- Indian Grass (071)
- Mountain Haze (129)
- Night Sky (012)
- Pebble (072)
- Prairie (122)
- Sierra (094)
- Tahiti Desert (050)
- Tahiti Gray (053)
- Tahiti Ivory (059)
- Tahiti Matrix (058)
- Tahiti Sand (051)
- Tahiti Terra (055)
- Tahiti White (011)
- Tundra (131)
- Winter Wheat (060)

STANDARDS AND RATINGS

American National Standard Institute—ANSI Z124.3
 International Association of Plumbing and Mechanical Officials (IAPMO)—Listed
 cUPC listed—Certified to CSA Test Standard B45.5 by IAPMO
 Uniform Plumbing Code (UPC)

For a complete list of tests and results see the Technical Data Sheet – page 175.

SUPPORT DOCUMENTS

Installation instructions available at swanstone.com.

MADE IN USA

MAINTENANCE AND CLEANING INFORMATION

Cleaning regularly with common household liquid cleaners is recommended. If necessary abrasive liquids or detergents are safe and effective for use with nylon scouring pads, sponges, Mr. Clean® Magic Eraser® or other similar products. Mineral-stain removers are acceptable as well. **Do not** use metal scouring pads.