

**WARRANTY**

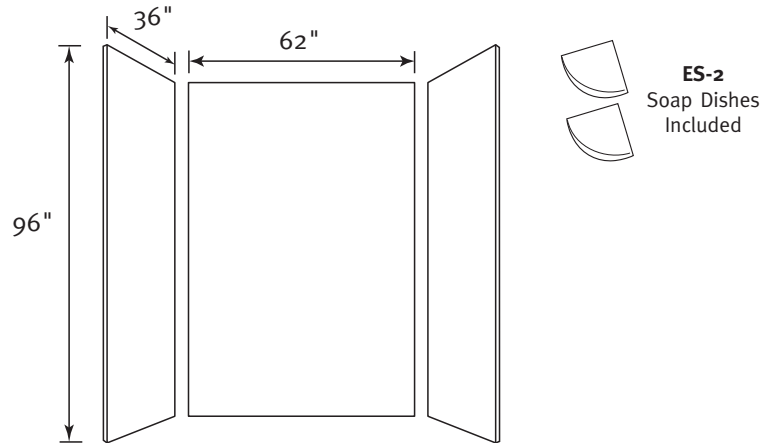
Limited Lifetime – Residential  
 Limited 25-year – Commercial

**Manufactured from Swanstone solid surface**  
 (See page 2 for detailed information.)

*Recommended for high-use traffic areas and commercial surfaces.*

**FEATURES**

- Reinforced solid surface means color and texture run all the way through and cannot wear away.
- Will not mold or mildew, no grout to clean.
- Ideal for remodeling, panels glue up over existing surface.
- Coordinates with other Swanstone bath products.
- Can be easily trimmed to fit any shower application.
- Widest range of sizes to fit most any project.
- Heat resistant—walls can handle steamer units.
- Compression molding means superior durability.



**Model MK 96-3662**

Designed to fit floors 36" deep x 62" wide or smaller, including 36" x 60", 34" x 60", 34" x 54", 32" x 60", and 30" x 60" (ADA barrier free)

**SPECIFICATIONS**
**MK96-3662 Multi-Kits**

Model	Part	Nominal Dimensions	Ship Wt. Lb.	Ship FedEx	Carton Dims. In.	Cu. Ft.
MK96-3662	MK963662	36"D x 62"W x 96"H	236	—	102 x 68 x 4	16.06

Kit Includes: Two side panels, one back panel, two corner soap dishes and installation materials.

Packaging: Packed in individual carton with convenient handles and palletized.

**ACCESSORIES**

See pages 59-60 for complete listing of all wall accessories.

**STANDARDS AND RATINGS**

American Society of Testing and Materials (ASTM) E-84: Class A Flame Spread Rating

American National Standard Institute—ANSI Z124.6

International Association of Plumbing and Mechanical Officials (IAPMO)—Listed

cUPC listed—Certified to CSA Test Standard B45.5 by IAPMO

Uniform Plumbing Code (UPC)

For a complete list of tests and results see the Technical Data Sheet – page 175.

**SUPPORT DOCUMENTS**

Installation instructions available at [swanstone.com](http://swanstone.com).

 **MADE IN USA**

**COLORS**

(See inside back cover for color sample.)

**Solid Colors:**

- White (010)
- Bone (037)
- Bisque (018)
- Bright White (137)
- Pearl (138)

**Aggregate Colors:**

- Acorn (123) ✎
- Almond Galaxy (046)
- Arctic Granite (035)
- Baby's Breath (168)
- Barley (091)
- Bermuda Sand (040)
- Canyon (124) ✎
- Caraway Seed (169)
- Cloud Bone (126)
- Cloud White (125)
- Cornflower (063)
- Glacier (121) ✎

- Golden Steppe (128)
- Gray Granite (042)
- Ice (130)
- Indian Grass (071)
- Mountain Haze (129)
- Night Sky (012)
- Pebble (072)
- Prairie (122) ✎
- Sierra (094)
- Tahiti Desert (050)
- Tahiti Gray (053)
- Tahiti Ivory (059)
- Tahiti Matrix (058)
- Tahiti Sand (051)
- Tahiti Terra (055)
- Tahiti White (011)
- Tundra (131)
- Winter Wheat (060)

**MAINTENANCE AND CLEANING INFORMATION**

Clean regularly with common household liquid cleaners and rinse within five minutes of application. Occasional scrubbing with abrasive cleaners ensures that the original luster will be maintained. **Do not** use "leave on" cleaning products, such as automatic spray shower cleaners. Prolonged contact with harsh chemicals could have an adverse reaction over time and discolor surfaces. **Do not** use cleaning agents that caution use on acrylic, polyester or plastics.