

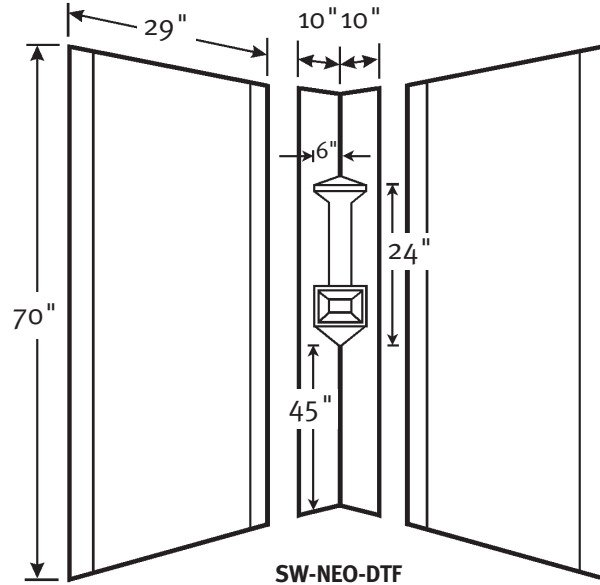


Manufactured from Swan High-Gloss
(See page 2 for detailed information.)

WARRANTY
Limited Lifetime – Residential
Limited 5-year – Commercial

FEATURES

- Ultra-bright, glossy surface comes from durable, baked-on finish.
- Includes all materials needed for installation.
- Glue-up three piece shower wall panel system.
- Compression-molded.



SW-NEO-DTF

Designed to fit wall areas
35-1/2" x 35-1/2" to 38" x 38" x 70" high
(902 mm x 902 mm to 965 mm x 965 mm x 1778 mm)

SPECIFICATIONS

SW-NEO-DTF High-Gloss NEO-Angle & Double Threshold

Model	Part	Wall Area Designed To Fit	Ship Wt. Lb.	Ship FedEx	Carton Dims. In.	Cu. Ft.
SW-NEO-DTF	NE00000SW	35-1/2" D x 35-1/2" W to 38" D x 38" W x 70" H (902 mm x 902 mm to 965 mm x 965 mm x 1778 mm)	42	-	72 x 31 x 9	11.63

Kit Includes: One back panel with shelves, two flat side panels and installation materials.

Packaging: Each kit is packed in a flat, rectangular carton.

ACCESSORIES

See page 85 for complete listing of all shower wall accessories.

COLORS

(See inside back cover for color sample.)

- White (010)
- Bone (037)
- Bisque (018)

MAINTENANCE AND CLEANING INFORMATION

Clean regularly with common household liquid cleaners and a sponge or soft cloth. **Do not** use abrasive cleaners or scouring pads. **Do not** use "leave on" cleaning products, such as automatic spray shower cleaners. Prolonged contact with harsh chemicals could have an adverse reaction over time and discolor surfaces.

SUPPORT DOCUMENTS

Installation instructions available at swanstone.com.

