

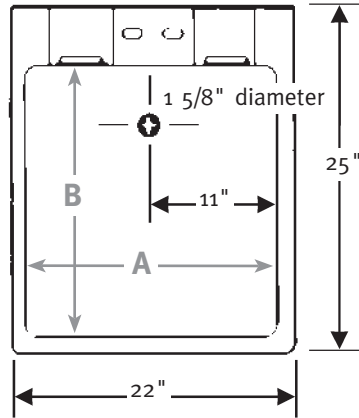


Manufactured from Polypropylene

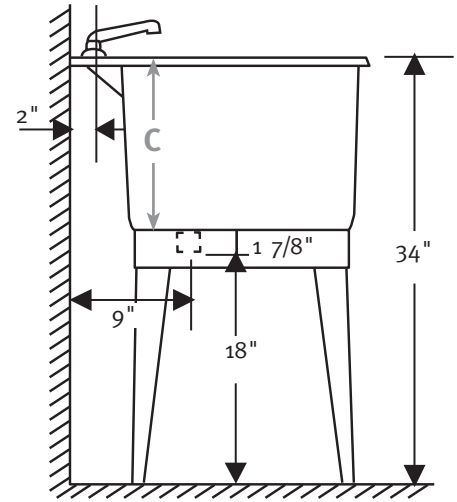
WARRANTY  
 Limited 1-year – Residential  
 Limited 1-year – Commercial

**FEATURES**

- 22-gallon capacity (83L).
- Molded-in drain and stopper.
- Made of sturdy polypropylene.
- Affordable utility.
- Includes four metal legs.
- Includes 4" pre-molded faucet holes.



**PT-1**  
 25" D x 22" W  
 (635 mm x 559 mm)  
 A 20", B 20", C 13-1/2"



**SPECIFICATIONS**

**PT-1 Polypropylene Single Laundry Tub**

**COLORS**

(See inside back cover for color sample.)

- White (010)

Model	Part	Nominal Dimensions	Wt. Lb.	Ship FedEx	Ship Dims. In.	Carton Cu. Ft.
PT-1 Floor Model	PT10000	25" D x 22" W (635 mm x 559 mm)	15	FedEx	26 x 23 x 18	6.23
PT-1-6PK Floor Model	PT1000006	25" D x 22" W (635 mm x 559 mm)	70	FedEx	36 x 24 x 26	12.64

**PT-1** Includes: One single tub, four metal legs with hardware.

Packaging: Packed in individual cartons.

**PT-1-6PK** Includes: Six-pack single tubs, 24 metal legs with hardware.

Packaging: Packed in two cartons: one for tubs and one for legs.

**STANDARDS AND RATINGS**

American National Standard Institute—ANSI Z124.6

International Association of Plumbing and Mechanical Officials (IAPMO)—Listed

CSA Test Standard B45.5

Uniform Plumbing Code (UPC)

**SUPPORT DOCUMENTS**

Installation instructions available at [swanstone.com](http://swanstone.com).

**MAINTENANCE AND CLEANING INFORMATION**

Clean regularly with common household liquid cleaners and a sponge or soft cloth. For hard water stains, scale removers can be used. **Do not** use abrasive cleaners or metal scouring pads.

**MADE IN USA**