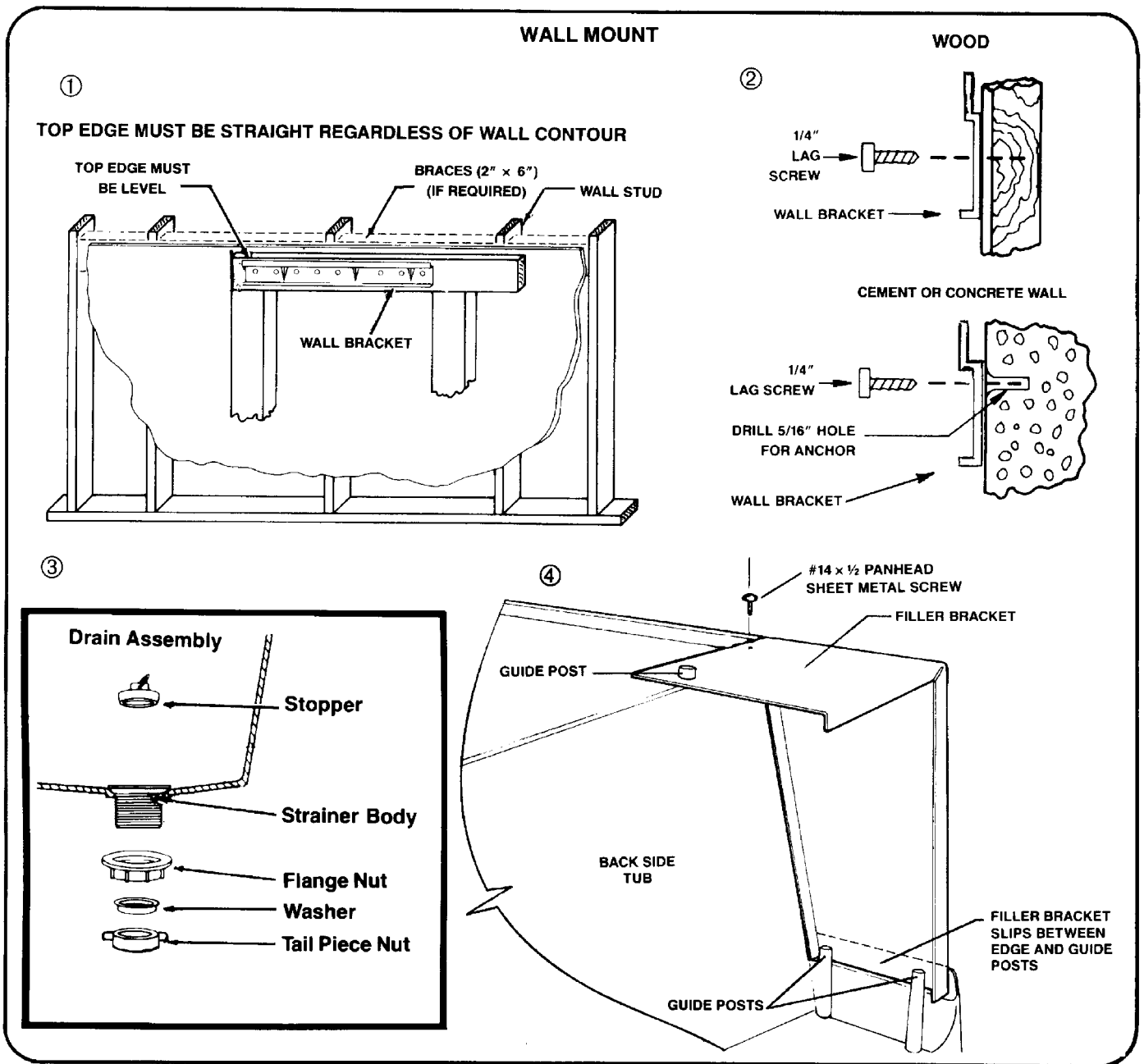
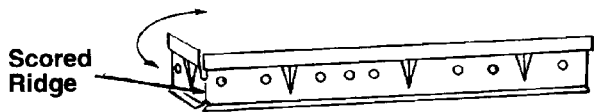


Installation Procedure for SF-1W STRUCTURAL FOAM LAUNDRY TUB



① Break off left side of wall bracket by snapping along the bracket's scored ridge.



② Mount wall bracket—locate studs—drill holes 3/4" for lag bolts. If only one stud can be used, attach a 2" x 4" between studs and then attach wall bracket.

③ For cement or concrete wall use 5/16" drill for holes—use plastic anchor and lag screws provided. Make sure the wall bracket is level regardless of wall contour before completely tightening the bolts. If wall is not level, shim as needed.

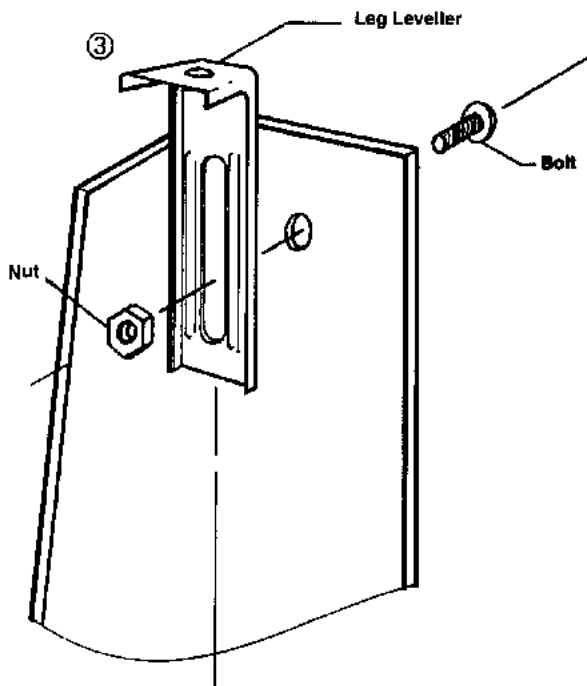
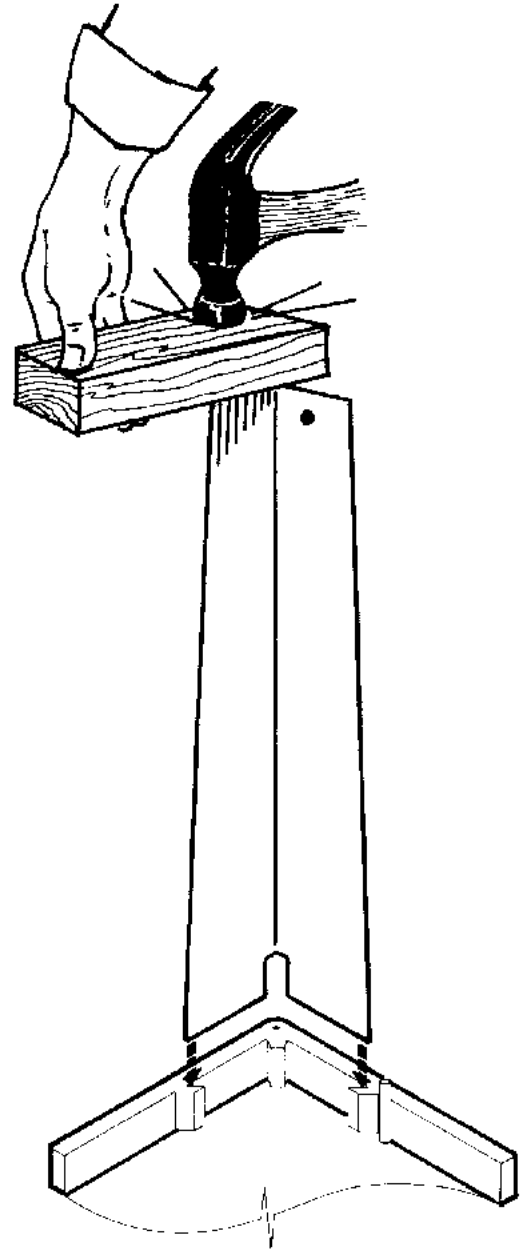
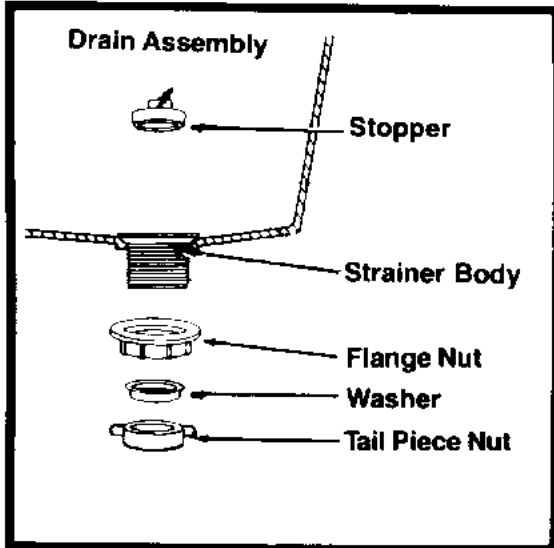
④ Install drain assembly.

⑤ Place tub upside-down on smooth surface. Attach right and left filler brackets, make sure holes line up. Guide top of filler bracket into groove provided under shelf. Secure sheet metal screw, do not over tighten. Hang tub, secure plumbing, and mount faucet or faucet block (not supplied).

Installation Procedure for SF-1F STRUCTURAL FOAM LAUNDRY TUB

FLOOR MOUNT

①



① Install drain assembly.

② Place tub upside down on a smooth surface. Insert legs into slots. Strike bottom of leg firmly (as illustrated) with hammer and block of wood, to drive leg into final position.

③ Use short bolt and nut to attach leg leveler to hole in bottom of leg. Turn tub on legs and adjust levelers. Secure plumbing and mount faucet or faucet block (not supplied).