

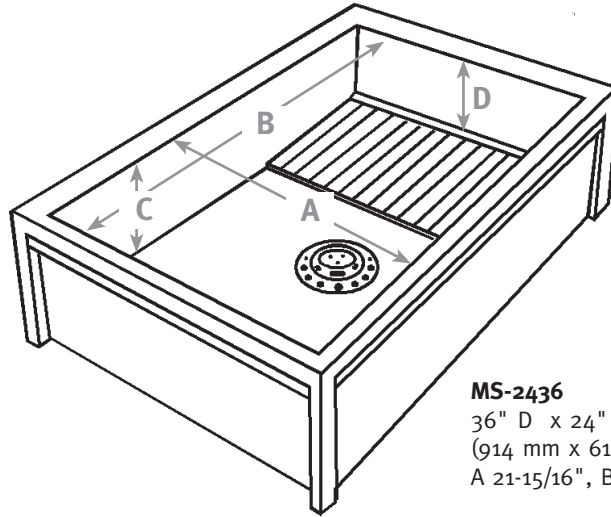


Manufactured from Swan's stone composite

WARRANTY
Limited 1-year – Residential
Limited 1-year – Commercial

FEATURES

- Manufactured from Swan's compression molded stone composite.
- Includes a 3" IPS cast brass drain and a 3" drain seal gasket (MS-2411).
- Dome strainer and lint basket.
- The most impact and stain-resistant mop sink available.



MS-2436
36" D x 24" W
(914 mm x 610 mm)
A 21-15/16", B 33-15/16", C 9-1/8", D 8-1/2"

SPECIFICATIONS

MS-2436 Mop Service Sink

Model	Part	Nominal Dimensions	Ship Wt. Lb.	Ship FedEx	Carton Dims. In.	Cu. Ft.
MS-2436	MS02436WA.033	36" D x 24" W (914 mm x 610 mm)	63	FedEx	37 x 25 x 13	6.96

Includes: One sink plus one code-approved 3-inch IPS cast brass drain and a 3-inch rubber drain adapter (MS-2411).
Packaging: Packed in individual cartons.

COLORS

(See inside back cover for color sample.)

Solid Colors:

- White (010)

Aggregate Colors:

- Bermuda Sand (040)

ACCESSORIES

See page 168 for complete listing of all mop service sink accessories.

STANDARDS AND RATINGS

American National Standard Institute—ANSI Z124.6
International Association of Plumbing and Mechanical Officials (IAPMO)—Listed
CSA Test Standard B45.5
Uniform Plumbing Code (UPC)

MAINTENANCE AND CLEANING INFORMATION

Clean regularly with common household liquid cleaners and a sponge or soft cloth. For hard water stains, scale removers can be used. Do not use abrasive cleaners or metal scouring pads.

SUPPORT DOCUMENTS

Installation instructions available at swanstone.com.

