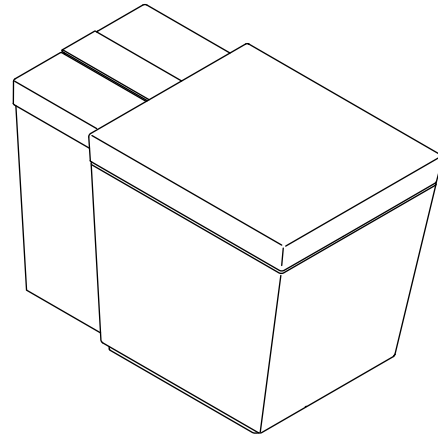


TOILET K-3901



Features

- Vitreous china
- One-piece elongated bowl
- Comfort Height®
- Three-Year Limited Warranty
- 12" (305 mm) rough-in
- Dual flush 1.28 gpf (4.8 lpf) or 0.6 gpf (2.5 lpf)
- 2-7/8" (73 mm) trapway
- 10" (254 mm) x 8-1/4" (210 mm) water area
- Requires a 120 V, 15 A minimum, 60 Hz receptacle protected by a GFCI or RCD
- Requires a supply stop with 1/2" OD compression outlet threads
- Includes complete toilet and seat, supply line, power cord, auxiliary music cord, and external FM antenna
- 29-1/2" (749 mm) x 14-1/2" (368 mm) x 17-7/8" (454 mm)



Codes/Standards Applicable

Specified model meets or exceeds the following:

- EPA WaterSense®
- CSA C22.2 No. 14/68
- UL 1951
- ASME A112.19.14
- ASME A112.4.2
- ASME A112.19.2/CSA B45.1

Colors/Finishes

- 0: White
- Other: Refer to Price Book for additional colors/finishes

Specified Model

Model	Description	Colors/Finishes	
K-3901	Toilet	<input type="checkbox"/> 0	<input type="checkbox"/> Other _____
Required Accessories			
K-7420	Premium remote control	<input type="checkbox"/> 0	
NA	Supply stop with a 1/2" OD compression outlet		
Optional Accessories			
1171368	Flange installation kit (for installations requiring T-bolt mounting)		

Product Specification

Toilet shall be vitreous china, one-piece elongated bowl, comfort height, with a 12" (305 mm) rough-in. Toilet shall have a three-year limited warranty, 2-7/8" (73 mm) trapway, and a 120 V, 15 A minimum, 60 Hz receptacle protected by a GFCI or RCD. Toilet shall have a 10" (254 mm) x 8-1/4" (210 mm) water area, require a supply stop with a 1/2" OD compression outlet thread, and include seat, supply line, power cord, auxiliary music input cord and external FM antenna. Toilet shall be 29-1/2" (749 mm) x 14-1/2" (368 mm) x 17-7/8" (454 mm). Toilet shall be Kohler Model K-3901-_____-_____.

Technical Information

Fixture:	
Configuration	one-piece, elongated
Water per flush	1.28 gal (4.85 L) or .6 gal (2.5 L)
Passageway	2-7/8" (73 mm)
Water area	10" (254 mm) x 8-1/4" (210 mm)
Water depth from rim	5-1/2" (140 mm)
Minimum static pressure required	30 psi (207 kPa)
Maximum static pressure	80 psi (552 kPa)
Included components:	
Inlet Hose Kit	1153579
Installation Block Mounting Kit	1138879

Required Electrical Service

Dedicated circuit required, protected with Class A Ground-Fault Circuit-Interrupter (GFCI) or Residual Current Device (RCD):

Receptacle	120 VAC, 15 A minimum, 60 Hz
------------	------------------------------

Installation Notes

IMPORTANT! Use the supply hoses provided with the fixture. Do not reuse the previously installed hoses.

Install according to the installation instructions.

Installation of a water hammer arrestor is recommended.

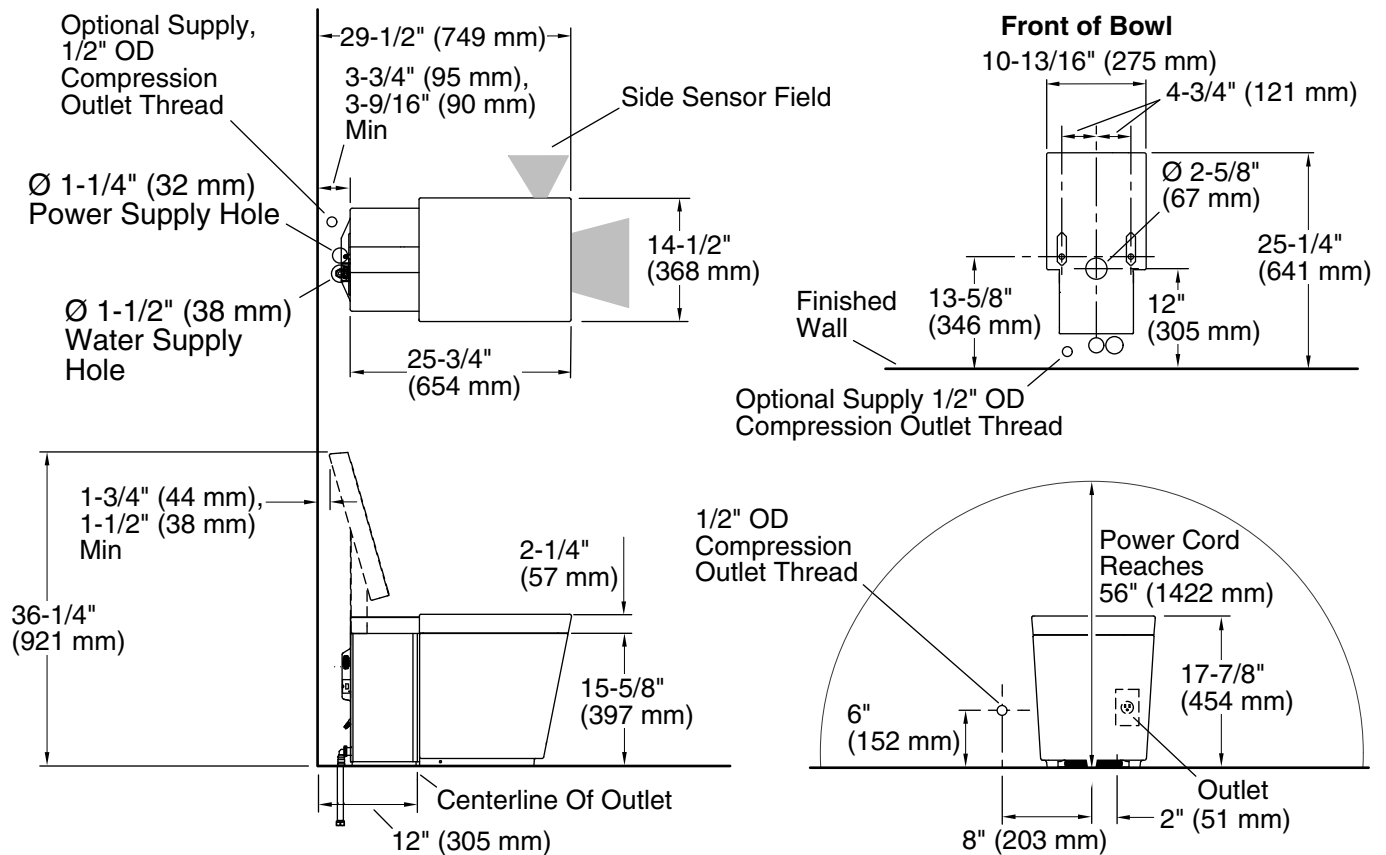
Install the docking station cord, when premium remote control is included, before installing the finished wall.

The supplied water inlet hose requires a supply stop with a 1/2" OD compression male outlet thread.

If local codes require the toilet be bolted to the flange, order kit 1171368 for required hardware and instructions.

Can be installed with water and electrical supplies attached to the back wall or through the floor. See roughing-in illustration for details.

Adjust the through-the-floor installation as required to meet all local codes.



Product Diagram