

Features

- Elongated closed-front seat fits most elongated toilets.
- Two spray wands with adjustable water pressure, temperature, and pulsate functions.
- Heated seat with adjustable temperature settings.
- Automatic night light function to illuminate the bowl.
- Energy save function.
- Anti-microbial materials used in seat and nozzles.
- Quick-Release™ hinge caps snap open and seat pulls forward for removal.
- Quiet-Close™ lid and ring prevents slamming.
- Air blower function allowing selection of air temperature.
- Automatic deodorization function.



Codes/Standards

ASME A112.4.2
IAPMO/ANSI Z124.5
UL 1431



KOHLER® One-Year Limited Warranty

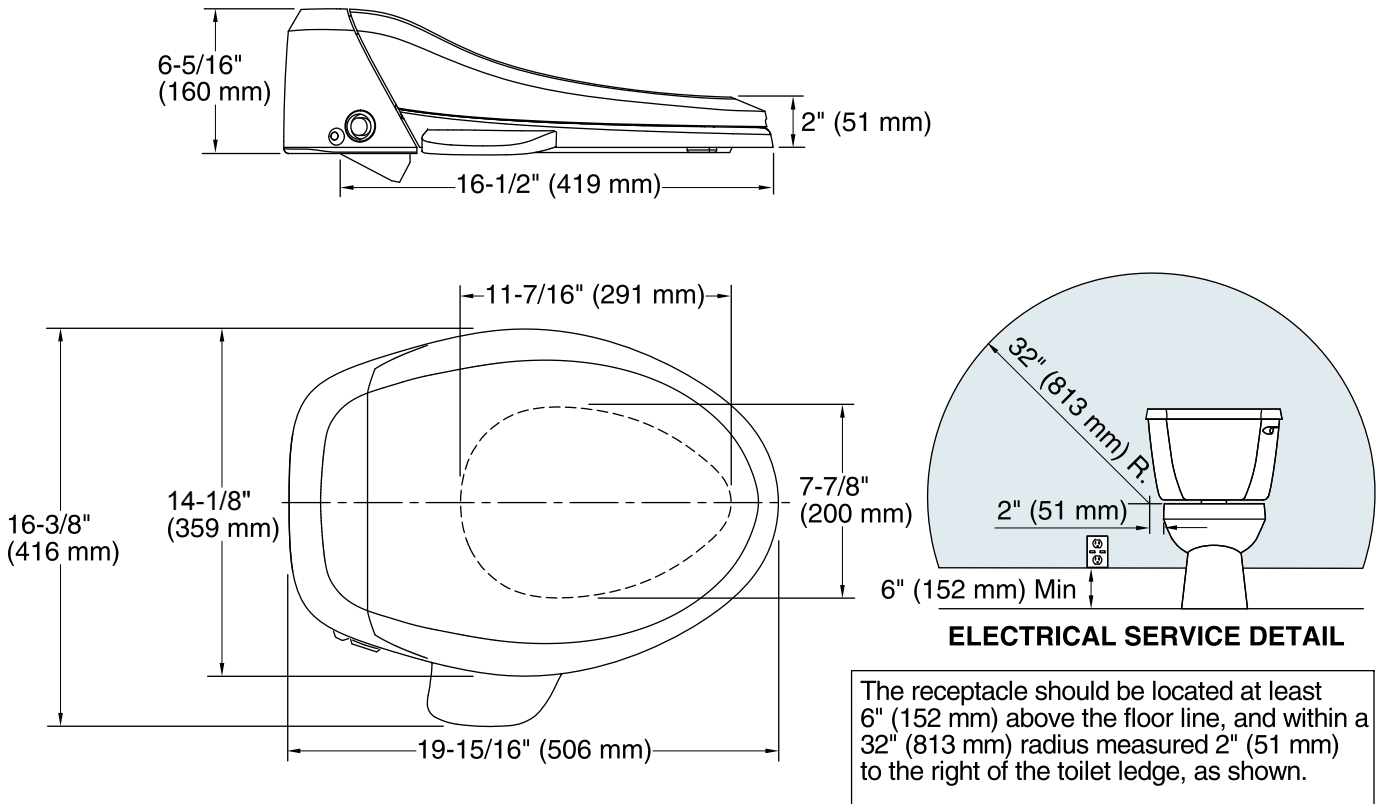
See website for detailed warranty information.

Available Color/Finishes

Color tiles intended for reference only.

Color	Code	Description
-------	------	-------------

- | | | |
|--|----|---------|
|  | 0 | White |
|  | 96 | Biscuit |



One dedicated circuit required, protected with Class A Ground-Fault Circuit-Interrupter (GFCI) or Residual Current Device (RCD).

Technical Information

All product dimensions are nominal.

- Seat shape type: Elongated
- Seat front type: Closed front
- Seat hinge type: Quiet-Close™, Quick-Release™
- Seat-mounting holes: 5-1/2" (140 mm)
- Electrical rating: Heated Surface: 120 V, 60 Hz, 450 W
- Power cord length: 43" (1092 mm)

Notes

Install this product according to the installation guide.

NOTICE: Do not use an extension cord with this product.

NOTICE: Do not plug in the seat until instructed to do so in the installation guide. This will avoid possible product malfunction.