

FEATURES

- Concealed supply connection for seamless installation
- Gentle aerated, warm water, dual action spray with oscillating and pulsating feature
- Adjustable water temperature and volume
- Warm-air drying with five variable temperature settings
- Automatic air deodorizer
- Convenient slim wireless remote, with illuminated touch pad
- Two user settings
- Docking Station, easy to install and clean
- Heated seat with temperature control
- Water Premist™ of bowl before each use

MODELS

- SW2044T20 - Elongated front



connect+

COLORS/FINISHES

- Standard
- #01 Cotton

PRODUCT SPECIFICATION

Seat shall be model # SW2044T20#01

Seat shall have gentle aerated, warm water, dual action spray with cycling movement and massage feature. Seat shall have adjustable water temperature and volume. Seat shall have warm air drying with five variable temperature settings. Seat shall have automatic air deodorizer. Seat shall include wireless remote control. Seat shall be solid plastic with closed front seat and cover. Seat shall include power cord, water supply hoses and Connect+ cover - THU9864. Supplies bowl with a Premist before each use.

CODES/STANDARDS

- Meets and exceeds ASME A112.4.2, ASME A112.18.1/CSA B125.1, UL 1431, CSA C22.2 #68
- Certifications: IAPMO(cUPC), State of Massachusetts, City of Los Angeles and others
- Code Compliance: UPC, IPC, NSPC, NPC Canada, and others

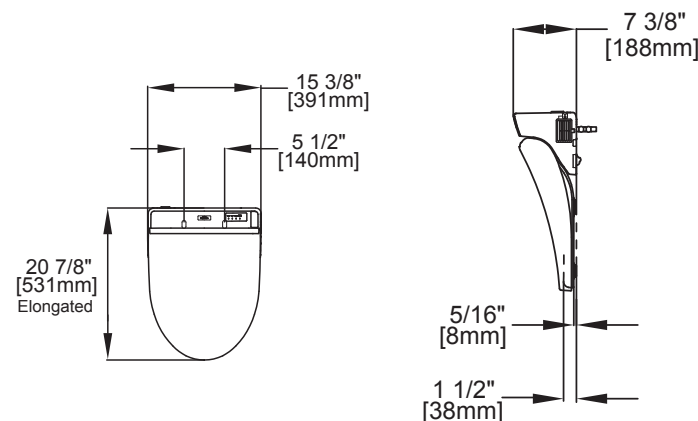


SW2044T20

Washlet® C200 Connect+™

SPECIFICATIONS

- **Power Rating:** AC 120V-60Hz, 406W
- **Power Cord:** Maximum length: 3.94 ft/120 cm, 3 prong grounded plug
- **Water Feature:** Adjustable Water Flow Rate:
Front washing - 9.8-14.5 oz/min
Rear washing - 9.1 -14.5 oz/min
Soft Rear - from 9.1 -14.5 oz/min
- **Washing Spray Temp:** Minimum: 95°F/35°C
Maximum: 104°F/40°C
- **Safety Device:** Thermal fuse.
- **Drying Feature:** Air temperature:
High: about 140°F/60°C
Low: about 86°F/30°C
- **Dryer Air Volume:** 9.53ft³/min
- **Seat Warming Feature:** Surface Temperature:
Minimum: 82°F/28°C
Maximum: 97°F/36°C
- **Safety Device:** Thermal fuse
- **Water Supply Pressure:** Minimum: 7.25 psi
Maximum: 108.75 psi
- **Ambient Temperature:** Range:
33°F/1°C to 104°F/40°C
- **Warranty:** One Year Limited Warranty
- **Shipping dimensions:** 23 1/2" x 19" x 9"
- **Shipping weight:** 16lbs



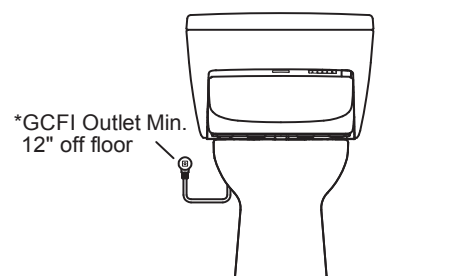
INSTALLATION NOTES

- Washlet C200 Connect+ is designed to fit TOTO Connect+ toilet bowl models only!

It is highly recommended to use a surge protector to prevent damage in the event of a power surge.

COMPATIBLE WITH CONNECT+ TOILETS

TOILETS	MODEL NUMBER	KIT NUMBER
ULTRAMAX II 1G	CST604CUFGT20#01	MW6042044CUFG#01
ULTRAMAX II	CST604CEFGT20#01	MW6042044CEFG#01
CARLYLE II 1G	CST614CUFGT20#01	MW6142044CUFG#01
CARLYLE II	CST614CEFGT20#01	MW6142044CEFG#01
SUPREME II	CST634CEFGT20#01	MW6342044CEFG#01
CAROLINA II	CST644CEFGT20#01	MW6442044CEFG#01
DRAKE II 1G Tank: ST453U	C454CUFGT20#01	MW4542044CUFG#01
DRAKE II Tank: ST454E	C454CUFGT20#01	MW4542044CEFG#01
VESPIN II 1G Tank: ST453U	CT474CUFGT20#01..	MW4742044CUFG#01
VESPIN II Tank: ST454E	CT474CUFGT20#01	MW4742044CEFG#01



*The 3-prong cord on the Washlet is on the right side and is 4' long.
The GFCI outlet needs to have 120V, 10amps.

TOTO®

These dimensions and specifications are subject to change without notice