



## Model 5912-69 — Recessed

### Product Materials

**CABINET:** 22 gauge stainless steel with exposed surfaces in architectural satin finish. Welded construction with burr-free edges.

**FLANGE:** 22 gauge stainless steel with exposed surfaces in architectural satin finish. One-piece seamless construction, 1" wide with ¼" return.

**DOOR:** 18 gauge stainless steel with full-length piano hinge and tumbler lock keyed like other Bradley units.

**PUSH FLAP DOOR:** 22 gauge stainless steel with exposed surfaces in architectural satin finish. Self-closing, with heavy-duty stainless steel piano hinge.

**WASTE RECEPTACLE:** leakproof molded plastic. 1.0 gal. capacity.

**SPINDLE:** polyethylene, non-removable by user.

### Capacity

Toilet Seat Cover Dispensers — 1,000 standard single-fold or half-fold toilet seat covers; Toilet Tissue Dispensers — two standard core toilet tissue rolls through 5¼" in diameter. Box of 500 waxed paper napkin disposal liners are available by ordering part number P11-022.

### Operation

Hinged access door permits servicing of components from one side.

### Installation

Verify all rough-in dimensions prior to installation. Requires rough wall opening 15¾"W x 28¾"H x 4¼"D. Secure with mounting screws (included) at holes provided. Recessed unit allows clearance for grab bar (not included) across front of unit. 5900 Series Combination Units are to be installed so that doors open 90° to fill product and maintain waste container.

### Guide Specification

Recessed combination unit shall include toilet seat cover dispenser, toilet tissue dispenser, and napkin disposal, and be fabricated of heavy gauge stainless steel with seamless exposed surfaces in satin finish. Door and back panel shall be 18 gauge. Door shall have piano hinge and tumbler lock.

**Overall dimensions: 17¼"W x 30¾"H x 4½"D.**

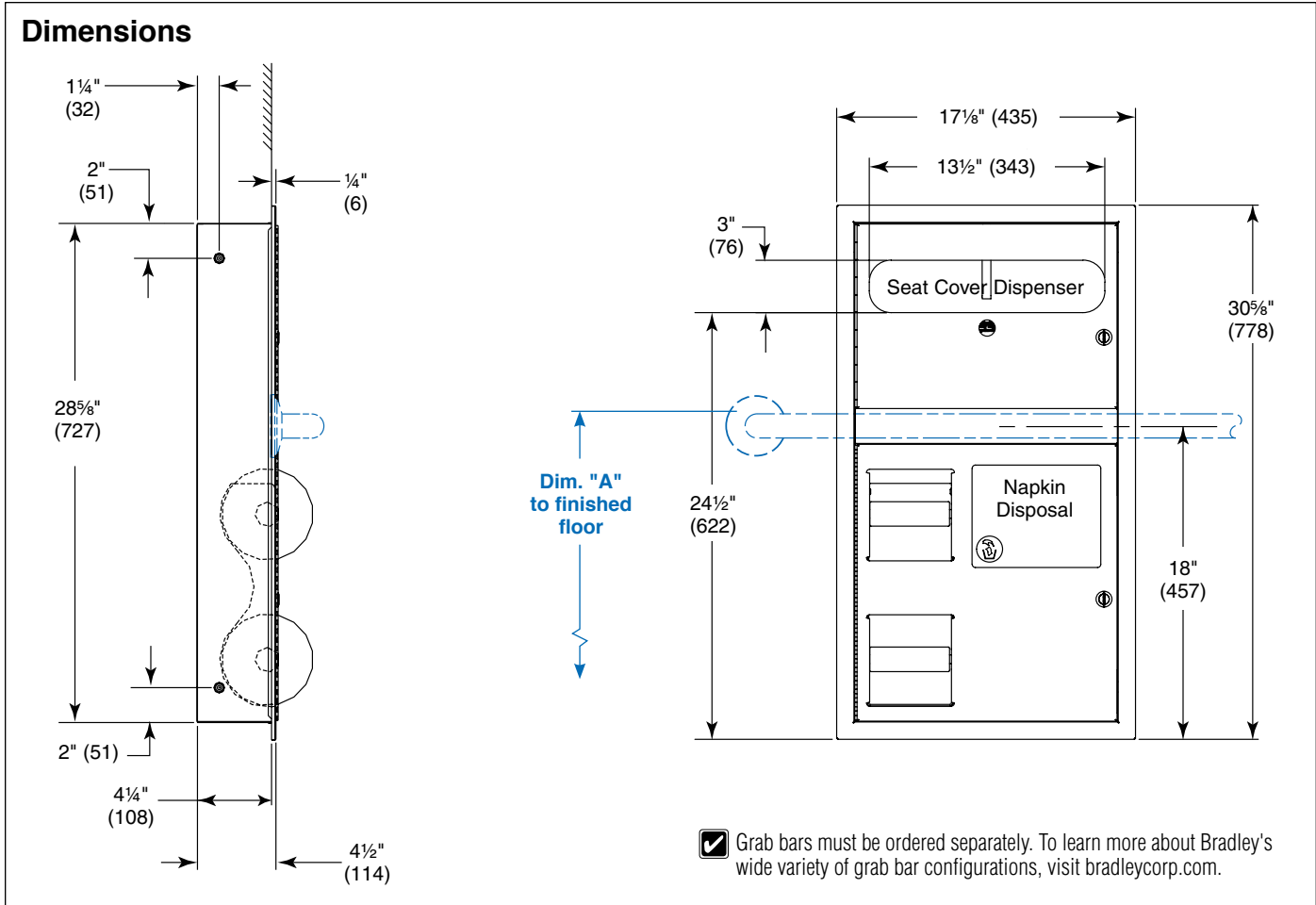


### Product Compliance

- ICC ANSI A117.1, Citation 609.3



- Consult local and national accessibility codes for proper installation guidelines.
- Conformity and compliance to local and national codes is the responsibility of the installer.
- ADA requires a 1½" grab bar clearance to the wall. When fully recessed, this unit protrudes ¼" from the finished wall. A standard grab bar, when mounted over the unit, will not meet the ADA requirement of 1½".



Dim. "A" Key Surface:	For Dim. "A"	Top of Rough Wall Opening	Bottom of Rough Wall Opening	For Seat Cover Opening Top	For Bottom Toilet Paper Opening Lower Lip @ Dim. "A"
Top of 1 1/2" grab bar to finished floor	36" (914)	47" (1194)	18 1/8" (460)	45 3/8" (1153)	17 9/16" (440)
	34 1/2" (876)	45 1/2" (1156)	16 5/8" (422)	43 7/8" (1114)	15 13/16" (402)
	33" (838)	44" (1118)	15 1/8" (384)	42 3/8" (1076)	14 9/16" (364)
<b>Rough wall opening:</b>					
Surface-Mount:	No rough opening, overall dimensions 15 3/8" (391) Wide x 28 7/8" (734) High x 4 1/2" (114) Deep				
Recessed:	15 3/8" (391) Wide x 28 7/8" (734) High x 4 1/4" (108) Deep				
Semi-Recessed:	15 3/8" (391) Wide x 28 7/8" (734) High x 3 1/4" (83) Deep				